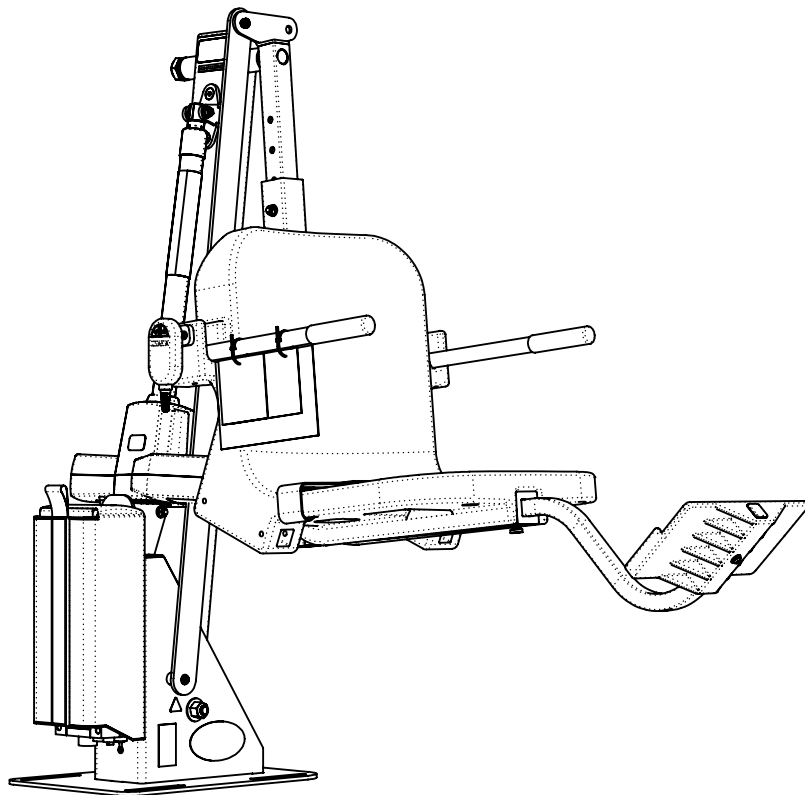




INSTALLATION & OPERATION MANUAL

MODEL: ADMIRAL
CATALOG #: F-ADMRL



* C-ADMRL-BYO, F-ADMRL-C MAY CONTAIN PLASTIC NOT APPROVED BY UL

**RECORD YOUR LIFT'S
SERIAL NUMBER HERE:**

1

UPDATED:
1 - 11/26/2025

WWW.AQUACREEK.COM
© 2025 AQUA CREEK PRODUCTS. ALL RIGHTS RESERVED.

9889 GARRYMORE LANE
MISSOULA, MT 59808
(406) 549-0769
FAX (406) 541-8958



TABLE OF CONTENTS

SAFETY INFORMATION.....	3
ADA REQUIREMENTS FOR POOL LIFTS (US ONLY).....	4
PRODUCT OVERVIEW AND APPLICATIONS.....	5
PRODUCT COMPONENTS.....	6
PRODUCT ASSEMBLY.....	14
OPERATION INSTRUCTIONS.....	14
FIELD REVERSAL.....	16
MAINTENANCE INSTRUCTIONS.....	17
ANNUAL INSPECTION.....	18
BASIC TROUBLESHOOTING.....	22
WARRANTY INFORMATION.....	23



IMPORTANT SAFETY INFORMATION



Safety & Installation Instructions

When installing this product, always follow basic safety precautions, including the following:

READ ALL INSTRUCTIONS BEFORE USE

WARNING – To Reduce the Risk of Injury: Children and individuals with reduced physical, sensory, or mental capabilities, or those lacking experience or knowledge, should not use this product unless closely supervised or instructed by a responsible person.

Electrical Safety:

A wire connector is provided on all bondable anchors to connect a minimum 8 AWG (8.4 mm²) solid copper conductor to an equipotential bonding system as per NEC Article 680.82.

Maintenance & Inspection:

Periodically check the appliance for signs of wear or deterioration. Ensure all nuts, bolts, and screws are tightened to maintain safe operation.

Signage Requirement:

Affix the provided 'ADA POOL/SPA LIFT' sign in a position that maintains clear and unobstructed visibility from the lift at all times, in any location where ADA compliance is required.

Battery Safety:

Remove rechargeable batteries from the appliance before charging. Install batteries with the correct polarity. If the appliance will be unused for an extended period, remove the batteries and store them on the wall-mounted charger to maintain their charge. DO NOT short-circuit the supply terminals.

REDUCE THE RISK OF DROWNING:

- Never swim alone.
- Do not use the appliance to enter an empty pool.
- Do not spray water directly onto the electronics.
- Do not allow children to play on or around the appliance. Supervise children at all times.
- DO NOT jump or dive from this appliance.

Seat may become hot; use caution when sitting. Keep the appliance covered when not in use. Inspect and clean before each use.

READ CAREFULLY BEFORE INSTALLATION:

Inspect the entire box and packing materials for all necessary parts. Before assembly, carefully read the instructions and verify all parts using the provided diagrams and parts list. Inspect all components for damage before installation. If any damage occurred during shipping, notify Aqua Creek Products LLC within three (3) days of receipt. Proper installation is critical. Improper installation will void the Aqua Creek warranty and may compromise user safety.

ADA REQUIREMENTS FOR POOL LIFTS* (US ONLY)

1009.2.1 Pool Lift Location

Pool lift shall be located where the water level does not exceed 48". If entire pool water level exceeds 48", place pool lift where convenient.

1009.2.2 Seat Location

In the raised position, the centerline of the seat shall be located over the deck a minimum of 16" from the edge of the pool.

1009.2.3 Clear Deck Space

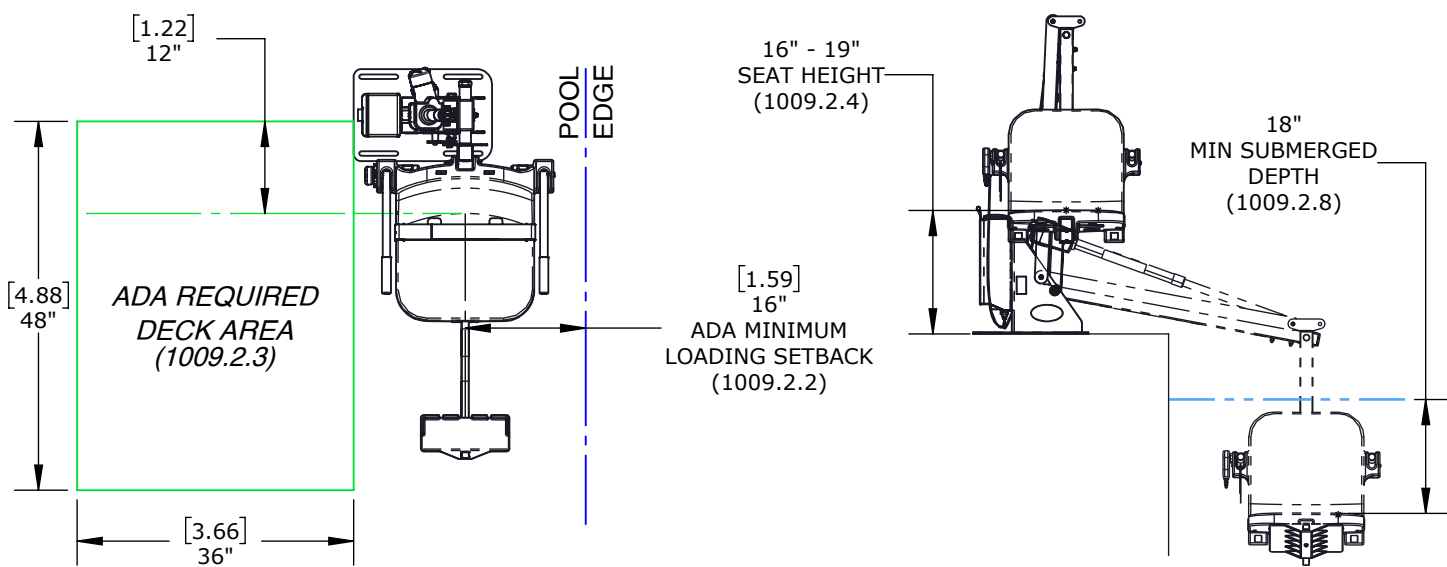
On the side of the seat opposite the water; a clear deck space shall be provided parallel with the seat. The space shall be 36" wide minimum and shall extend forward 48" minimum from a line located 12" behind the rear edge of the seat.

1009.2.4 Seat Height

The lift shall stop at 16" - 19" measured from the deck to the top of the seat surface when in the loading position.

1009.2.8 Submerged Depth

The lift shall submerge the seat a minimum of 18" below the stationary water level



*Compliance with ADA is the responsibility of the pool owner. Visit www.ada.gov for complete guidelines.

PRODUCT OVERVIEW AND APPLICATIONS

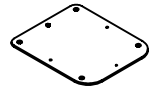
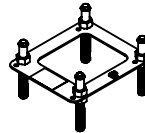
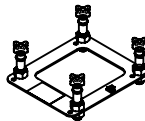
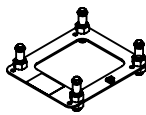
The Admiral™ is an incredibly strong and durable lift. The Admiral™ features a unique, non-rotating design that is for use on in-ground pools and spas. It does not stand too tall and has a very small footprint. This makes it an incredibly solid, durable, and reliable product that blends in with almost any décor.

The 450-pound (204 kg) weight capacity of this lift provides pool access to an even greater number of swimmers. The adjustable seat height also makes this lift easier to transfer for people in taller wheelchairs.

COMPATIBLE ANCHORING OPTIONS

The Admiral will work with the following anchors. Anchor must be installed before the lift installation can begin. All anchors are sold separately. Contact your dealer or visit our website at www.aquacreek.com for additional anchor options.

STANDARD ANCHOR OPTIONS				
DESCRIPTION	Standard Anchor	Quick-Attach Anchor	8" Anchor	Wood Deck Anchor
CATALOG NO.	F-04CAJP	F-046QAB-AT1	F-08CAJP	F-40220-AT1
PART NO.	INV01411	INV01406	INV01414	INV01444



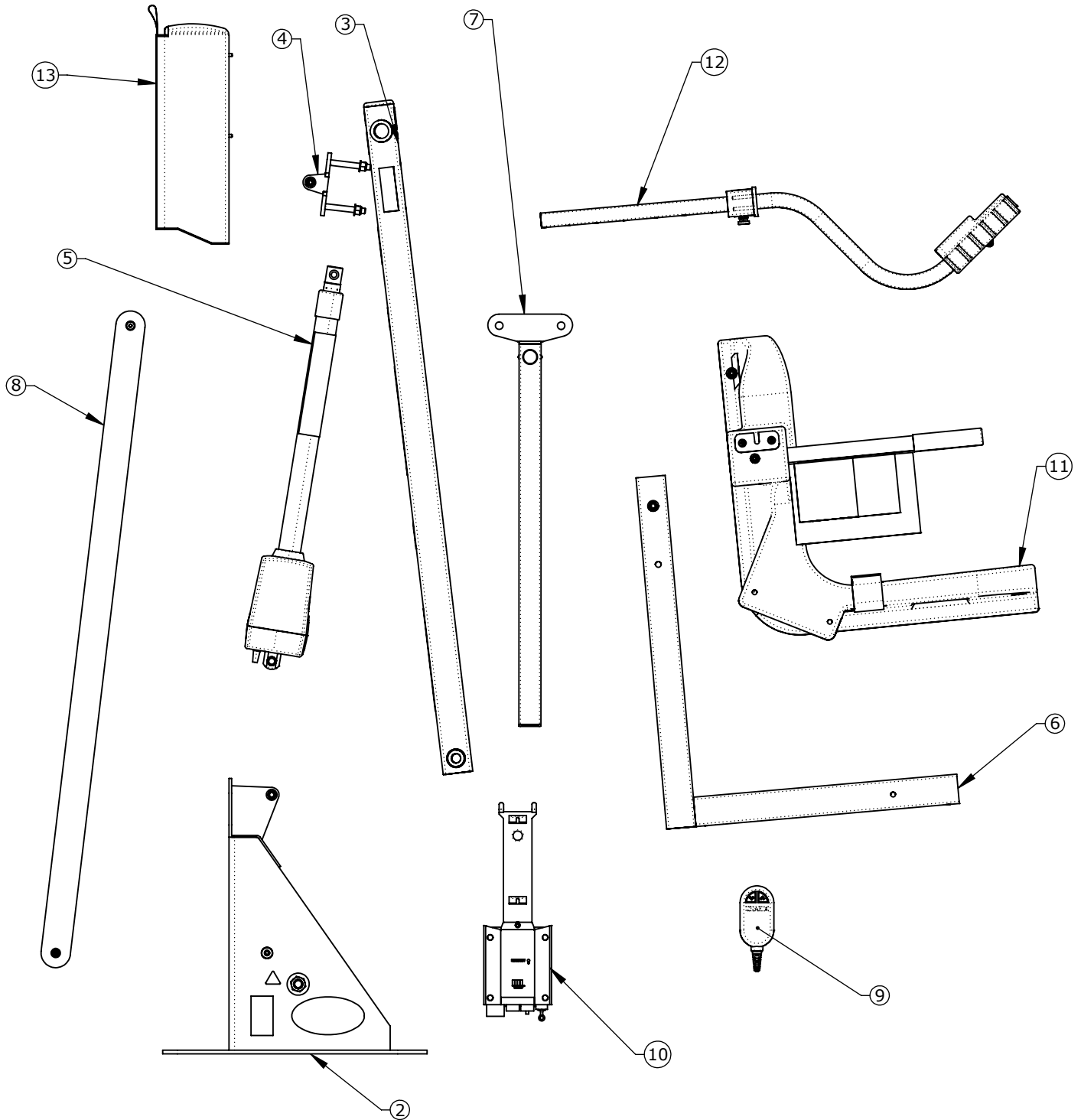
UNPACKING YOUR LIFT

As you unpack your new lift, please inspect all parts for damage from shipping and handling as parts may have shifted in transit. Please refer to the following checklist to ensure all parts are accounted for before you begin your assembly.

PRODUCT COMPONENTS

ADMIRAL BLUE - F-ADMRL - INV01513 GRAY - F-ADMRL-G - INV01756 TAN - F-ADMRL-T - INV01757 WHITE - F-ADMRL-W - INV01755 CUSTOM - F-ADMRL-C - INV01907								
ITEM	PART NO.	BLUE	GRAY	TAN	WHITE	REV.	DESCRIPTION	REORDER
1	INV03286	1	1	1	1	2	STOCK BOX - LINAK	
2	INV02996	1	1	1	1	2	ASSEMBLY - BASE - ADMRL	
3	INV02997	1	1	1	1	1	ASSEMBLY - LIFTING ARM - ADMRL	
4	INV02998	1	1	1	1	1	ASSEMBLY - ACTUATOR BRACKET	
5	INV03419	1	2	2	2	2	ACTUATOR KIT - 400MM - LINAK	
6	INV02756	1	1	1	1	1	ASSEMBLY - SEAT CRADLE	
7	INV01509	1	1	1	1	1	ASSEMBLY - ADJ. SEAT POLE - ADMRL	
8	INV03030	1	1	1	1	1	ASSEMBLY - CONTROL ARM - ADMRL	
9	INV01846	1	1	1	1	1	REMOTE - 2 BUTTON LINAK	
10	INV03562	1	1	1	1	1	ASSEMBLY - CONTROL BOX MOUNT - LINAK (NON-ROTATIONAL)	
11	INV01417	1	-	-	-	1	ASSEMBLY - SEAT 18.00" - BLUE	
11	INV02859	-	1	-	-	1	ASSEMBLY - SEAT 18.00" - GRAY	
11	INV02860	-	-	1	-	1	ASSEMBLY - SEAT 18.00" - TAN	
11	INV02861	-	-	-	1	1	ASSEMBLY - SEAT 18.00" - GRANITE WHITE	
12	INV01903	1	-	-	-	1	ACCESSORY - FOOTREST - BLUE	
12	INV01905	-	1	-	-	1	ACCESSORY - FOOTREST - GRAY	
12	INV01904	-	-	1	-	1	ACCESSORY - FOOTREST - TAN	
12	INV01906	-	-	-	1	1	ACCESSORY - FOOTREST - WHITE	
13	INV03471	1	-	-	-	1	ASSEMBLY - COVER - BATTERY & CONTROL BOX - W/ SCREWS - LINAK & VITO (BLUE)	
13	INV03473	-	1	-	1	1	ASSEMBLY - COVER - BATTERY & CONTROL BOX - W/ SCREWS - LINAK & VITO (GRAY)	
13	INV03472	-	-	1	-	1	ASSEMBLY - COVER - BATTERY & CONTROL BOX - W/ SCREWS - LINAK & VITO (TAN)	

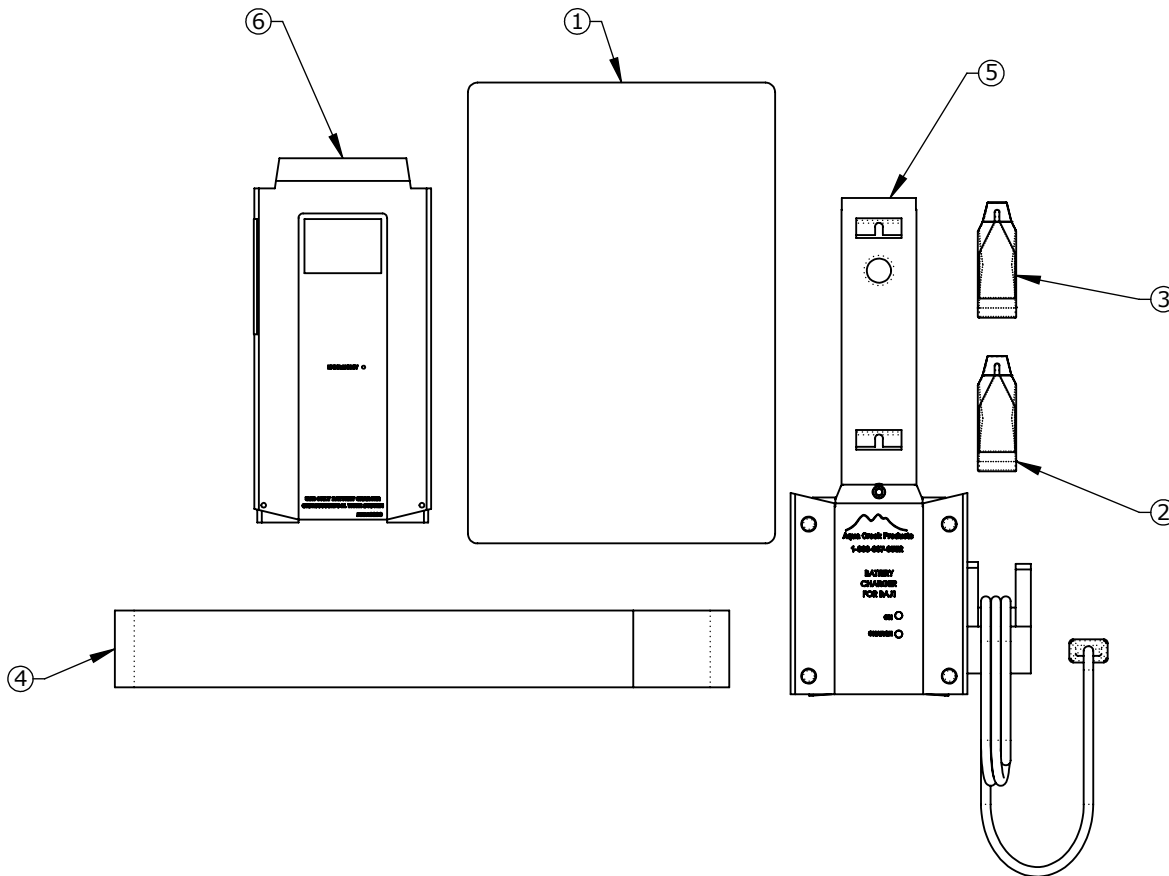
PRODUCT COMPONENTS



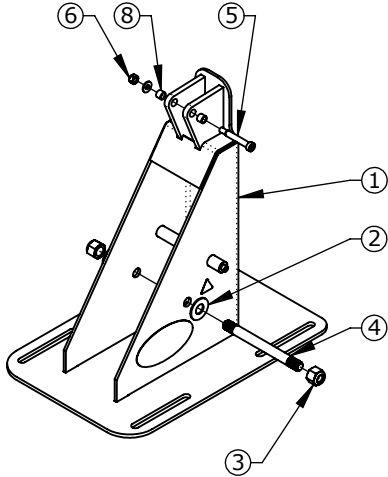
#1 NOT SHOWN

PRODUCT COMPONENTS

STOCK BOX - LINAK - INV03286					
ITEM	PART NO.	QTY.	REV.	DESCRIPTION	REORDER
1	INV00578	1	1	SIGN - "ADA LIFT AVAILABLE" (AQUA CREEK)	
2	INV00303	1	-	ANTI-SEIZE - PACKET - 5 GRAMS	
3	INV00249	1	-	DIELECTRIC GREASE PACKET - 6 GRAMS	
4	INV00534	1	-	CHAIR - SEAT BELT	
5	INV03559	1	1	ASSEMBLY - WALL CHARGER (LINAK)	
6	INV00340	1	-	BATTERY - LINAK 24V - 2PC	

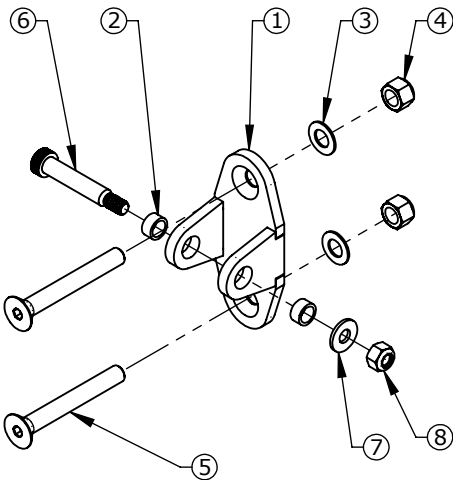
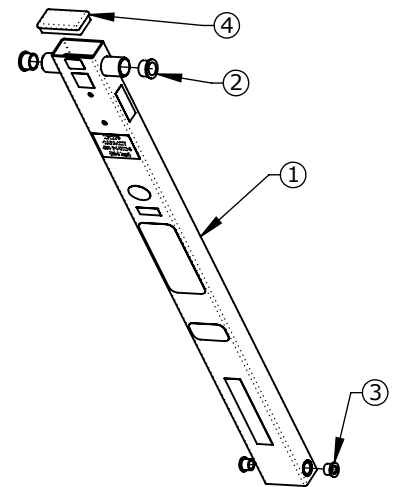


PRODUCT COMPONENTS



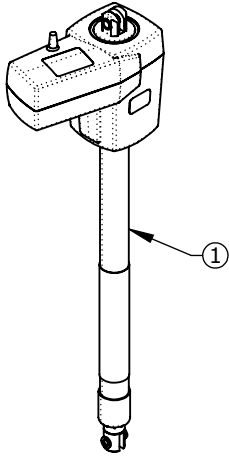
ASSEMBLY - BASE - ADMRL - INV02996					
ITEM	PART NO.	QTY.	REV.	DESCRIPTION	REORDER
1	INV02014	1	P1	WELDMENT - MAIN FRAME	
2	INV01178	2	-	WF - 5/8" FLAT WASHER	
3	INV00744	2	-	NN - 5/8"-11 NYLOCK NUT	
4	INV03377	1	2	MACHINED - TS - 5/8"-16X6.59" THREADED STUD	
5	INV00464	1	-	BS - 3/8"X2"X5/16"-18 SHOULDER BOLT	
6	INV00742	1	-	NN - 5/16"-18 NYLOCK NUT	
7	INV01176	1	-	WF - 5/16" FLAT WASHER	
8	INV00448	2	-	BRB - 1/2"X3/8"X3/8" BRONZE BUSHING	

LIFTING ARM - INV02997					
ITEM	PART NO.	QTY.	REV.	DESCRIPTION	REORDER
1	INV02015	1	P1	WELDMENT - LIFTING ARM	
2	INV00436	2	-	BRB - 1"X1 1/4"X3/4"X1/8" BRONZE BUSHING	
3	INV00444	2	-	BRB - 5/8"X7/8"X3/4"X1/8" BRONZE BUSHING	
4	INV00980	1	-	END CAP - RECT. 2.00"X4.00"X.120"	



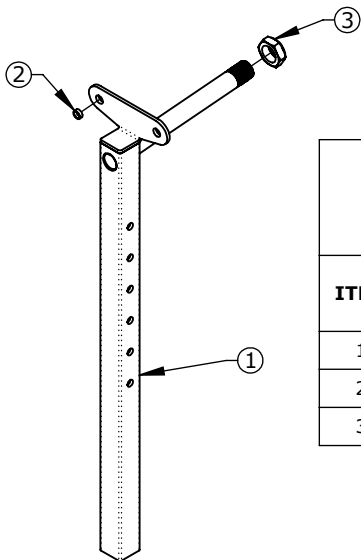
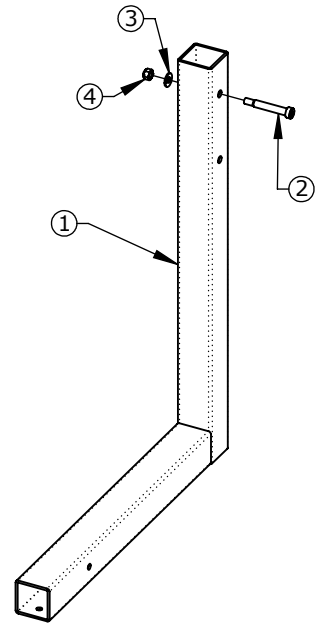
ACTUATOR BRACKET - INV02998					
ITEM	PART NO.	QTY.	REV.	DESCRIPTION	REORDER
1	INV02018	1	1	WELDMENT - ACTUATOR BRACKET	
2	INV00447	2	-	BRB - 3/8"X1/2"X1/4" BRONZE BUSHING	
3	INV01174	2	-	WF - 3/8" FLAT WASHER	
4	INV00739	2	-	NN - 3/8"-16 NYLOCK NUT	
5	INV00366	2	-	BC - 3/8"-16X3" FLAT HEAD BOLT	
6	INV00462	1	-	BS - 3/8"X1 3/4"X5/16"-18 SHOULDER BOLT	
7	INV01176	1	-	WF - 5/16" FLAT WASHER	
8	INV00742	1	-	NN - 5/16"-18 NYLOCK NUT	

PRODUCT COMPONENTS



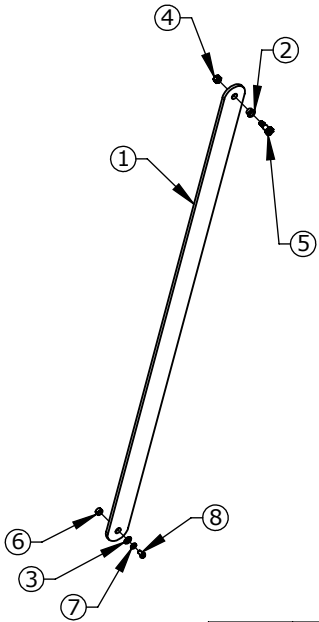
ACTUATOR KIT - 400MM - LINAK - INV03419					
ITEM	PART NO.	QTY.	REV.	DESCRIPTION	REORDER
1	INV00239	1	-	ACTUATOR - LINAK - 400MM	

ASSEMBLY - SEAT CRADLE - INV02756					
ITEM	PART NO.	QTY.	REV.	DESCRIPTION	REORDER
1	INV01984	1	1	WELDMENT - SEAT CRADLE	
2	INV00464	1	-	BS - 3/8"X2"X5/16"-18 SHOULDER BOLT	
3	INV01176	1	-	WF - 5/16" FLAT WASHER	
4	INV00742	1	-	NN - 5/16"-18 NYLOCK NUT	



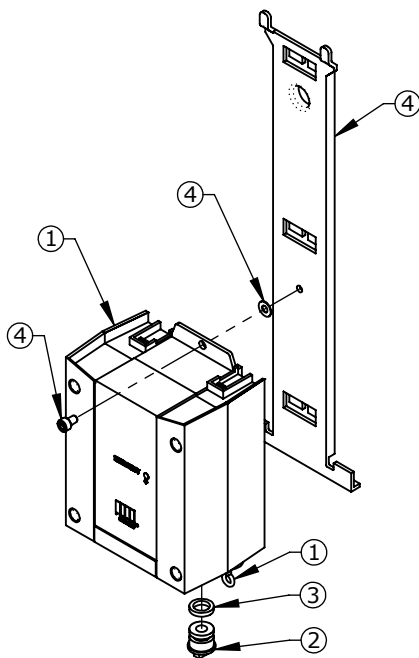
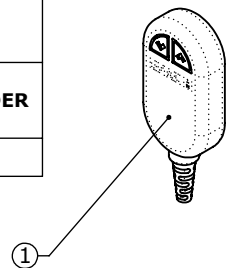
ASSEMBLY - ADJ. SEAT POLE - ADMRL - INV01509					
ITEM	PART NO.	QTY.	REV.	DESCRIPTION	REORDER
1	INV02017	1	2	WELDMENT - ADJ. SEAT POLE - ADMRL	
2	INV00439	1	-	BRB - 3/8"X1/2"X3/16" - BRONZE BUSHING	
3	INV00746	1	-	NNJ - 1"-8 NYLOCK JAM NUT	

PRODUCT COMPONENTS



ASSEMBLY - CONTROL ARM - ADMRL - INV03030					
ITEM	PART NO.	QTY.	REV.	DESCRIPTION	REORDER
1	INV01995	1	P1	LASER/WJ - CONTROL ARM	
2	INV00440	1	-	BRB - 3/8"X1/2"X3/8"X3/32" BRONZE BUSHING	
3	INV01170	2	-	WF - 1/4" FLAT WASHER	
4	INV00742	1	-	NN - 5/16"-18 NYLOCK NUT	
5	INV00467	1	-	BS - 3/8"X9/16"X5/16"-18 SHOULDER BOLT	
6	INV00447	1	-	BRB - 3/8"X1/2"X1/4" BRONZE BUSHING	
7	INV01182	1	-	WL - 1/4" LOCK WASHER	
8	INV00345	1	-	BB - 1/4"-20X1/2" BUTTON HEAD BOLT	

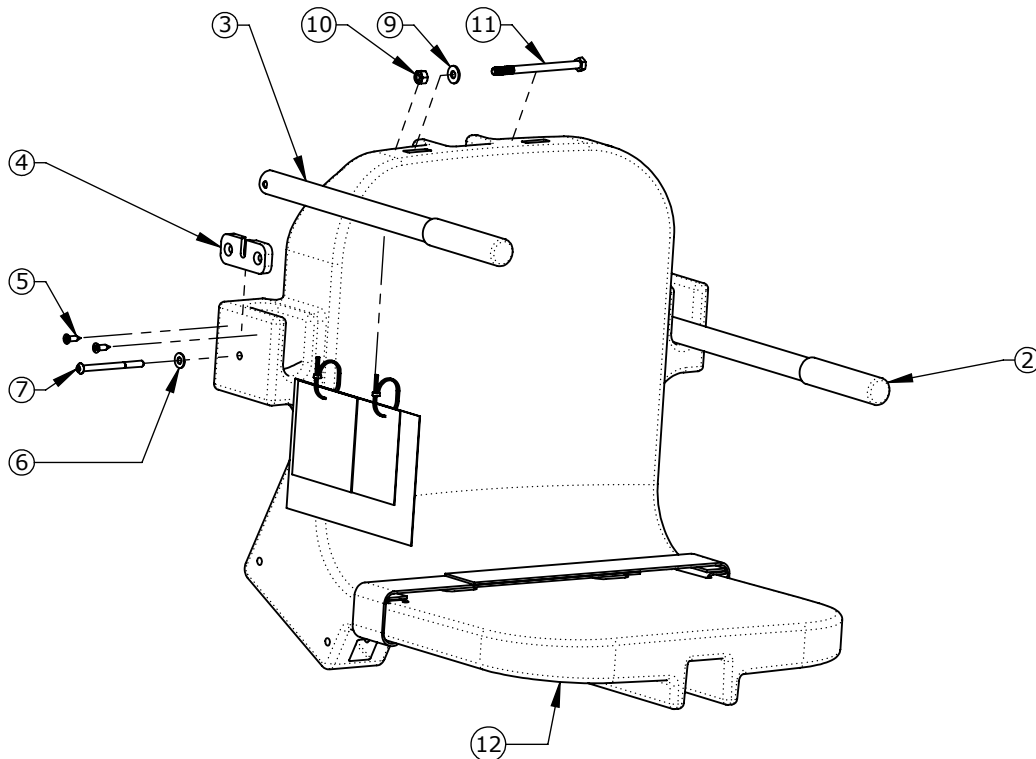
REMOTE - 2 BUTTON LINAK					
ITEM	PART NO.	QTY.	REV.	DESCRIPTION	REORDER
1	INV01846	1	1	REMOTE - 2 BUTTON LINAK	



ASSEMBLY - CONTROL BOX MOUNT - LINAK (NON-ROTATIONAL) - INV03562					
ITEM	PART NO.	QTY.	REV.	DESCRIPTION	REORDER
1	INV02389	1	1	CONTROL BOX - LINAK 2 PORT - 10 AMP	
2	INV00102	1	-	PART - 2 PORT TO 1 PORT PLUG	
3	INV00098	1	-	PART - 2 PORT TO 1 PORT O-RING	
4	INV00715	1	1	LINAK - BRACKET KIT	

PRODUCT COMPONENTS

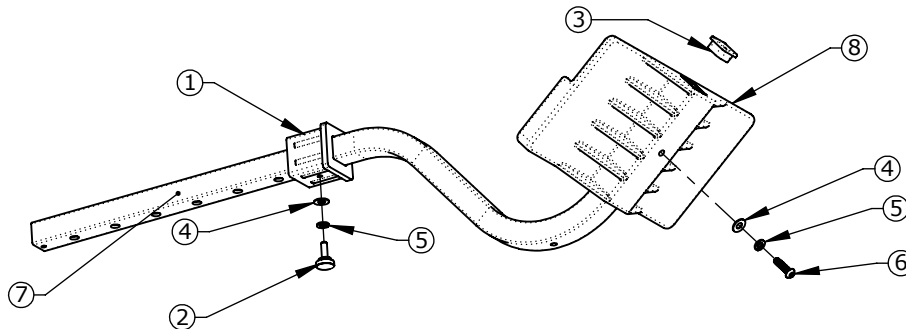
ASSEMBLY - SEAT 18.00" - BLUE - INV01417								
GRAY - INV02859								
TAN - INV02860								
WHITE - INV002861								
ITEM	PART NO.	QTY.	QTY.	QTY.	QTY.	REV.	DESCRIPTION	REORDER
1	INV03136	2	2	2	2	-	WF - 5/16" NYLON	
2	INV01031	2	2	2	2	-	HAND GRIP - RUBBER 1.00" DIA.	
3	INV02227	2	2	2	2	1	MAKE - ARMREST TUBE	
4	INV00783	1	1	1	1	1	REMOTE HOLDER	
5	INV01057	2	2	2	2	-	SFH - #12X3/4" PHILLIPS HEAD SCREW	
6	INV01170	4	4	4	4	-	WF - 1/4" FLAT WASHER	
7	INV00349	2	2	2	2	-	BB - 1/4"-20X3 1/4" BUTTON HEAD BOLT	
8	INV00735	2	2	2	2	-	NN - 1/4"-20 NYLOCK NUT	
9	INV01176	2	2	2	2	-	WF - 5/16" FLAT WASHER	
10	INV00742	1	1	1	1	-	NN - 5/16"-18 NYLOCK NUT	
11	INV00421	1	1	1	1	-	BH - 5/16"-18X4 1/2" HEX HEAD BOLT	
12	INV00819	1	-	-	-	1	ROTOMOLD - SEAT 18.00" - BLUE	
12	INV00825	-	1	-	-	1	ROTOMOLD - SEAT 18.00" - GRAY	
12	INV00826	-	-	1	-	1	ROTOMOLD - SEAT 18.00" - TAN	
12	INV00820	-	-	-	1	1	ROTOMOLD - SEAT 18.00" - GRANITE WHITE	



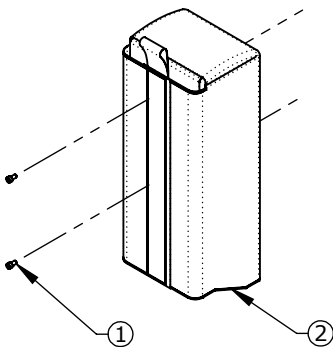
#1 & #8 NOT SHOWN

PRODUCT COMPONENTS

ACCESSORY - FOOTREST - BLUE - INV01903 GRAY - INV01905 TAN - INV01904 WHITE - INV01906								
ITEM	PART NO.	QTY.	QTY.	QTY.	QTY.	REV.	DESCRIPTION	REORDER
1	INV01578	1	1	1	1	1	PART - LEG/FOOTREST INSERT	
2	INV02364	1	1	1	1	-	KNOB - 3/4" KNURLED - 1/4-20 X 3/4"	
3	INV01078	1	1	1	1	-	END CAP - SQR. 1.00"X.120"	
4	INV01170	2	2	2	2	-	WF - 1/4" FLAT WASHER	
5	INV01182	2	2	2	2	-	WL - 1/4" LOCK WASHER	
6	INV00341	1	1	1	1	-	BOLT - BHSCS 1/4"-20X1"	
7	INV02465	1	1	1	1	2	BEND - FOOTREST W/HOLES	
8	INV01894	1	-	-	-	1	PART - LEG/FOOTREST - BLUE	
8	INV01897	-	1	-	-	1	PART - LEG/FOOTREST - GRAY	
8	INV01895	-	-	1	-	1	PART - LEG/FOOTREST - TAN	
8	INV01896	-	-	-	1	1	PART - LEG/FOOTREST - WHITE	



ASSEMBLY - COVER - BATTERY & CONTROL BOX - W/ SCREWS - LINAK & VITO (BLUE) - INV03471 GRAY - INV03473 TAN - INV03472							
ITEM	PART NO.	QTY.	QTY.	QTY.	REV.	DESCRIPTION	REORDER
1	INV00471	2	2	2	-	BSH - #10-24X3/8" SOCKET HEAD BOLT	
2	INV00588	1	-	-	1	COVER - BATTERY & CONTROL BOX - LINAK & VITO - BLUE	
2	INV00589	-	1	-	1	COVER - BATTERY & CONTROL BOX - LINAK & VITO - GRAY	
2	INV00590	-	-	1	1	COVER - BATTERY & CONTROL BOX - LINAK & VITO - TAN	

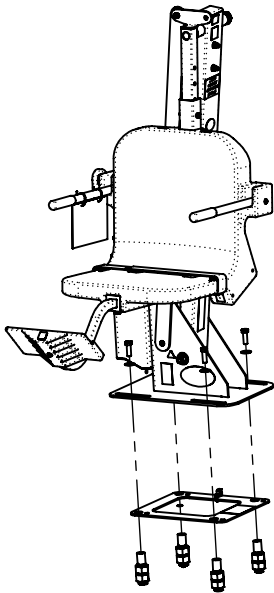


PRODUCT ASSEMBLY

- **READ ALL INSTRUCTIONS FULLY AND USE ALL COMPONENTS SHOWN IN EACH STEP BEFORE MOVING ON TO THE NEXT STEP**
- **ADD A SMALL AMOUNT OF ASSEMBLY LUBE TO ALL THREADS DURING ASSEMBLY (PACKET PROVIDED). THIS WILL HELP PREVENT SEIZING OF BOLTS**
- **DO NOT OVER TIGHTEN BOLTS. OVER-TIGHTENING CAN CAUSE DAMAGE AND COMPROMISE THE SAFETY OF YOUR LIFT.**
- **TOOLS REQUIRED:**
 - 1/2" SOCKET WRENCH, 9/16TH SOCKET WRENCH
 - ALLEN KEYS/TORX: 5/32", 3/16", 1/4", T-30
 - RUBBER MALLET (AS NEEDED)

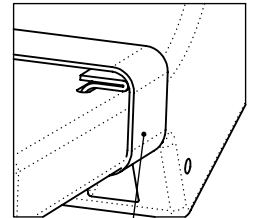
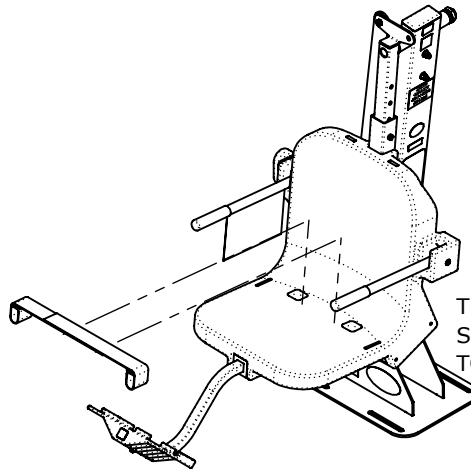
STEP 1

INSTALL THE ADMIRAL POOL LIFT ONTO THE FOUR (4) PREVIOUSLY INSTALLED ANCHORS USING THE SUPPLIED 1/2 INCH X 1 1/2 INCHES STAINLESS STEEL HEX HEAD BOLTS AND 1/2 INCH STAINLESS STEEL WASHERS. MAKE SURE ALL BOLTS ARE TIGHT BEFORE USING THE LIFT.



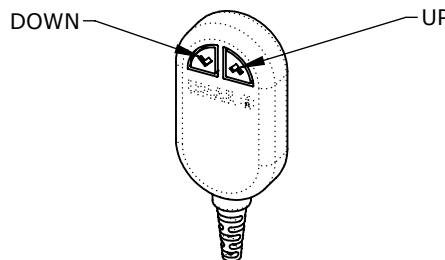
STEP 2

ATTACH SEAT BELT TO THE SEAT.



THREAD THROUGH SLOTS AND PINCH TOGETHER TO HOLD

OPERATIONAL INSTRUCTIONS



***NOTE: DO NOT OVER TIGHTEN BOLTS. OVER-TIGHTENING CAN CAUSE DAMAGE AND COMPROMISE THE SAFETY OF YOUR LIFT.**

***USE ASSEMBLY LUBE ON ALL BOLTS**

PRODUCT ASSEMBLY

STEP 3 **ADJUST SEAT ASSEMBLY**

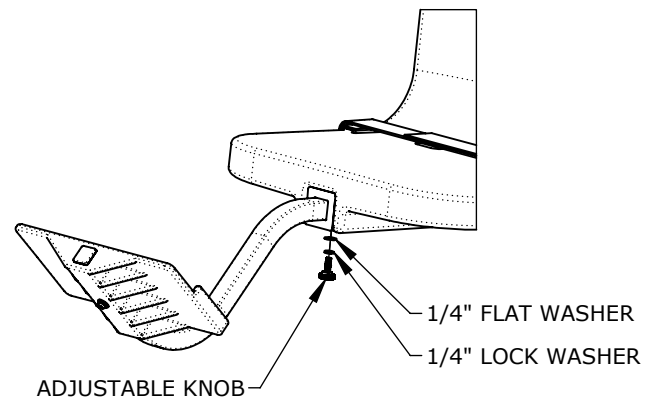
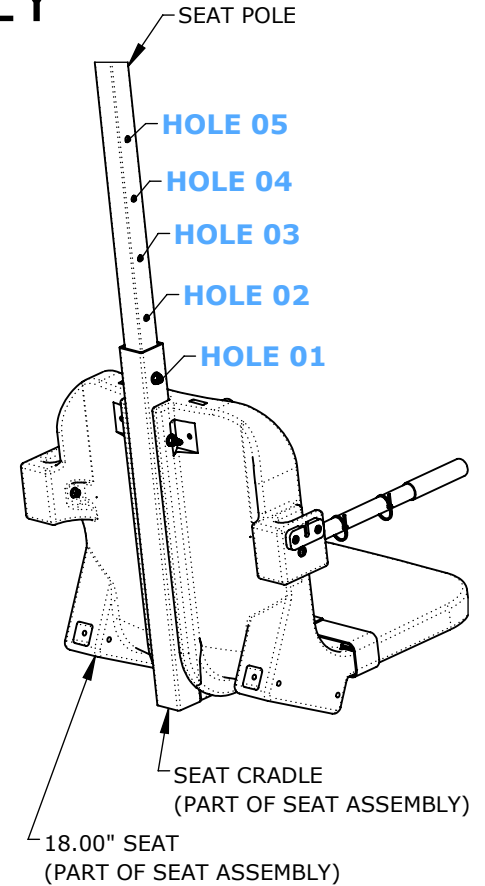
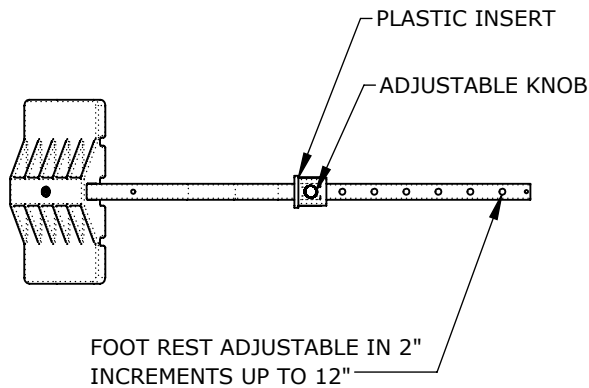
THE SEAT ASSEMBLY WILL ARRIVE ATTACHED TO THE SEAT POLE ADJUSTED TO ITS HIGHEST POSITION (HOLE 05). TO ADJUST THE SEAT ASSEMBLY TO A LOWER POSITION, REMOVE THE FASTENERS CONNECTING THE SEAT ASSEMBLY TO THE SEAT POLE. SLIDE THE SEAT ASSEMBLY TO ITS DESIRED POSITION (2" INCREMENTS) AND REINSTALL THE FASTENERS. THE MAXIMUM ADJUSTMENT RANGE IS 8"

***DO NOT ATTACH THE SEAT ASSEMBLY ANY LOWER THAN THE BOTTOM TWO HOLES.** ALWAYS USE THE TWO (2) SUPPLIED BOLTS TO ATTACH THE SEAT ASSEMBLY TO THE SEAT POLE.

NOTE: FOR MOST APPLICATIONS THE SEAT WILL BE INSTALLED IN ITS LOWEST POSITION (HOLE 01). FOR APPLICATIONS WHERE A WALL OR CURB MUST BE CLEARED THE SEAT SHOULD BE INSTALLED IN A HIGHER POSITION.

STEP 4 **ATTACH FOOTREST**

REMOVE THE ADJUSTMENT KNOB AND ACCOMPANYING WASHERS FROM THE PLASTIC INSERT ON THE FOOTREST TUBE. FIT THE PLASTIC INSERT INTO THE SEAT CRADLE TUBE BELOW THE SEAT WITH THE HOLE FACING DOWNWARDS (USE A RUBBER Mallet IF NECESSARY). INSERT THE FOOTREST TUBE INTO THE PLASTIC INSERT AND ADJUST THE FOOTREST TO THE DESIRED LENGTH BY LINING UP THE HOLES ON THE FOOTREST TUBE WITH THE HOLE ON THE BOTTOM OF THE SEAT CRADLE. INSERT THE ADJUSTMENT KNOB AND WASHERS INTO HOLE IN THE BOTTOM OF THE SEAT CRADLE AND TIGHTEN THE HARDWARE INTO PLACE.

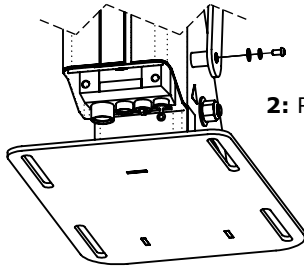
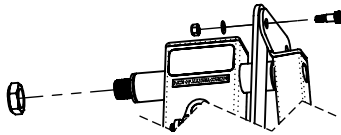


***NOTE: DO NOT OVER TIGHTEN BOLTS. OVER-TIGHTENING CAN CAUSE DAMAGE AND COMPROMISE THE SAFETY OF YOUR LIFT.**

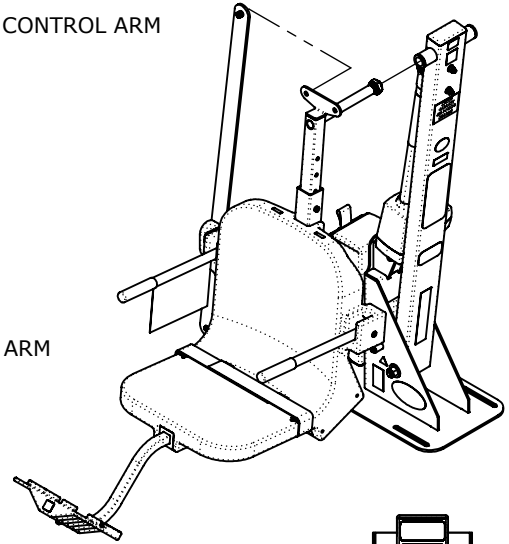
***USE ASSEMBLY LUBE
ON ALL BOLTS**

FIELD REVERSAL

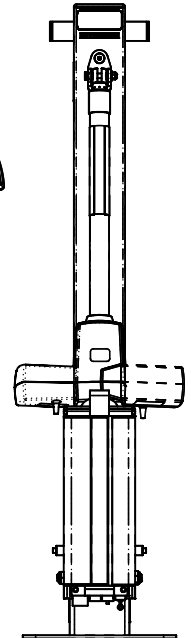
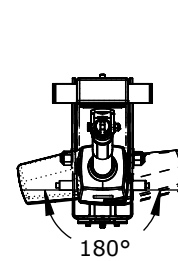
1: REMOVE BOLTS FROM SEAT ASSEMBLY AND CONTROL ARM



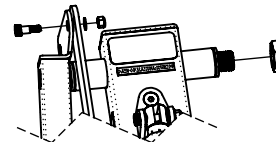
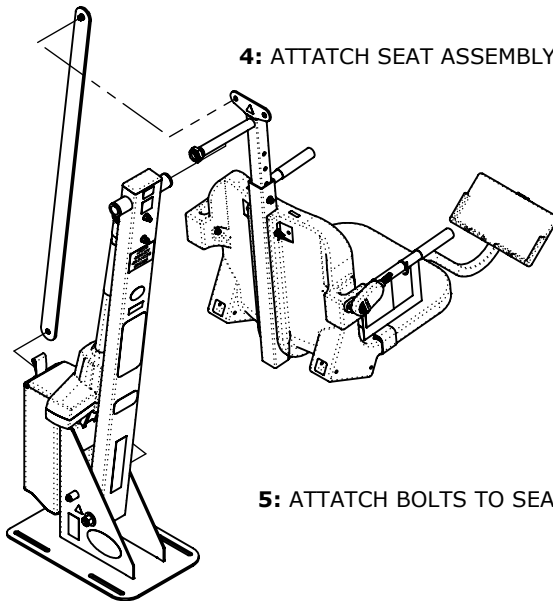
2: REMOVE SEAT ASSEMBLY AND CONTROL ARM



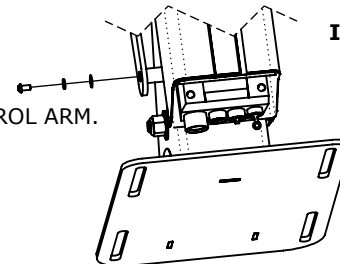
**3: REMOVE LOWER ACTUATOR BOLT AND SPIN ACTUATOR HOUSING COMPLETELY.
*BE MINDFUL OF CABLE AND SUPPORTING THE MAST THEN RESECURE HARDWARE**



4: ATTATCH SEAT ASSEMBLY AND CONTROL ARM ON OPPOSITE SIDE












5: ATTATCH BOLTS TO SEAT ASSEMBLY AND CONTROL ARM.



**FIELD REVERSAL
INSTRUCTIONAL VIDEO**



MAINTENANCE INSTRUCTIONS

PROCEDURE	BEFORE EACH USE	DAILY	WEEKLY	MONTHLY
Check battery level indicator on control box.				
Run the lift through a complete test cycle (fully extend actuator) to verify it is functioning properly.				
Wash lift with fresh water and dry with clean, soft, non-abrasive cloth.				
Recharge battery.				
Visually inspect lift for damage, corrosion, and loose or missing hardware.				
Check all contact points for damage and/or corrosion.				
Repair, clean and apply dielectric grease to all contact points.				
Thoroughly clean lift frame and apply a liberal coat of car wax to maintain the lift's finish.				
Check all Warning and Cautionary labels to make sure they are not faded or worn. Replace as needed.				

PROPER CARE NOTES:

- Use only fresh water to wash your lift. Do not wash with pool water.
- Use only clean, soft, non-abrasive cloths on your lift.
- Do not store lift in pump room or near chemicals.
- Do not allow children to play on or around this lift.
- When cleaning the lift, do not spray water directly on control box or battery.
- The lift may need to be bonded according to local code requirements.
- If the lift is not used for extended periods, remove the battery from the lift and store it on the wall charger to maintain the batteries charge. The charger should be plugged in and in a climate controlled area.

STAIN REMOVAL NOTES:

To remove stubborn stains from finish, spray affected area with mild dish soap, rub briskly with a 3M Scotch Brite™ pad. Use white epoxy paint to touch up the finish. Apply wax to protect when dry.

LIFT INSPECTION INFORMATION

Test Date:	
Pool Lift Model:	
Serial Number:	
Inspected By:	

Inspection Notes:

Please read and fill out all information carefully

Improper use and/or maintenance of pool lift can lead to actuator and/or other mechanical failures and possible personal injury. Please read and follow the product operators' manual and the instructions below.

NOTE: Completely cycle the lift without a load before each use to verify the lift is functioning properly.

- Product service life depends on the load characteristics, type and frequency of use, and the environment in which the product is being used. For example, persons not calmly sitting but falling down with their full body weight in the chair, or using the pool lift's chair as a diving platform can casue premature actuator failure and/or possible personal injury.
- Based on historical product service life analysis, Aqua Creek recommends replacing the actuator(s) and other electronic components after 5 years of service. Check component serial numbers and purchase records to verify the age of your components.
- A functional weight lifting force of a maximum of 100lbs. Must be periodically verified by applying a non-live load (without a person) through the entire operating cycle of the lift. This process is performed in order to verify the smooth operation. Make note of any unusual noises or sudden movements coming from the actuator(s) or other components. Note: In some lifts, a sudden quick movement at the beginning of the cycle is normal but should smooth out over the course of operation.
- Creating a side load on the actuator by pushing and/or pulling on the actuator, especially under load conditions, can casue damage to the actuator and or personal injury.
- Electronic components are designed to be plug-and-play type replacements. There is no need to access the internal mechanisms in these components. The actuator, battery, and all electronic components may only be disassembled by authorized factory-trained personnel. Disassembly of electronic components by improperly trained and unauthorized persons will void the warranty on those components.
- The operator of the pool lift should never allow the pool lift to hit any stationary object either vertically or horizontally while operating a pool lift, i.e. walls, ceiling, pool/spa bench, etc.
- For quick and accurate troubleshooting and inspections, we recommend having a voltage meter on had as well as adequate test and replacement components for the unit.
- Remove the pool lift from service immediately if any unusual noise is heard coming from the actuator such as grinding, popping or sudden inconsistent movements.
- Immediately remove from service any lift that does not have 100% compliance with the inspection until the appropriate corrections have been made by a qualified person.

OVERALL VISUAL INSPECTION

Corrosion is common with anything in a swimming pool environment; even stainless steel. Proper and regular maintenance and cleaning will prevent most instances of corrosion. Replace any components that have corrosion caused pitting, cracking, thinning of the base metal, or other instances of corrosion that can't be eliminated and/or minimized through thorough cleaning. refer to product manual for additional maintenance instructions. Make comments and/or recommendations in the notes area below each section.

INSPECTION ITEM	PASS	FAIL	N/A
1. Anchor bolts, concrete around anchors, etc... are in good condition. No cracks in concrete, missing hardware, and anchors are installed correctly.			
2. The fixing anchor is installed correctly and is in good condition.			
3. Powder coated components are clean, corrosion free, and in good overall condition. Clean and repair any missing powder coat finish. Apply a coat of wax on the cleaned and repaired finish.			
4. Welded joints show no signs of cracks or fatigue. Replace any non-compliant components.			
5. Hardware is present, secure, and not corroded (bolts, nuts, bushings, etc...).			
6. All wiring routing clips are present and in good condition.			
7. All product warning labels are present and legible.			
8. Plastic seat, foot rest, and other plastic components are present and in good shape.			
9. Armrest hand grips are present, in good condition, and are well secured to the arms.			
10. Electronic and lift covers are present and in good condition (Lift covers are highly recommended for outdoor installations).			
11. Inspect rotation gears for any damage or missing teeth. Inspect rotation motor gear and alignment to ensure proper rotation of the lift.			
12. Inspect lift slings, seat belts, and other similar stitched and webbed or weaved materials for damage, fatigue, and/or deterioration. Replace at first sign of any fatigue or damage.			

PHYSICAL POOL LIFT TEST

A physical test of the lift function is required when doing an annual inspection. NOTE: The lift should always be run through a completed cycle without a load prior to each use. The annual test should be ran both empty and with a typical load weight to test the lifts functions. Make comments and/or recommendations in the notes area below each section.

INSPECTION ITEM	PASS	FAIL	N/A
1. With all connections connected, operate the lift through a complete cycle without weight to confirm the lift is functioning correctly. Note any strange noises and any unusual operation.			
2. Verify the lift was installed correctly; is the lift free to travel in and out of the pool without hitting anything like a wall, rail, bench, etc...			
3. Rotate lift at least 90 degrees over the water and back again if applicable.			

ELECTRONICS INSPECTION

Most electronic issues are due to pool electrical connections and/or a defective battery. Always remove the battery and place on the charger when the lift is not in use. NOTE: Even if your lift is equipped with a solar charger, it is a good idea to place the battery on the wall charger periodically or during extended periods of non-use or storage. Before testing the battery, charge overnight. A voltage meter is required for this section and a known GOOD handset controller is helpful. An Aqua Creek electronics test light is also highly recommended (order item F-01TL). Make comments and/or recommendations in the notes area below each section.

INSPECTION ITEM	PASS	FAIL	N/A
1. Battery contact points are free of damage and/or corrosion. Dielectric grease is present on all contact points to prevent corrosion. ALWAYS STORE BATTERY ON THE CHARGER WHEN LIFT IS NOT IN USE!			
2. Battery level indicator (if equipped) on control box is functioning properly when battery is installed on lift.			
3. Using the voltage meter check the voltage on the battery. A good battery should read between 24v and 28v DC. Note: Vito batteries will require a test cord. (F-VTC002)			
4. Using the test light, confirm continuity through the control box by plugging the light into the control box in place of the actuator and press the buttons on the controller and the control box itself (if applicable). If the light does not light up with the handset, replace handset with a known good one and try to see if it lights up.			
5. Once the battery is fully charged up to 24 to 28 volts, cycle the lift (up, down, rotate) counting the cycles. If the battery is in good condition, the lift should easily complete at least 15 cycles without a load.			

BASIC TROUBLESHOOTING

1. Make note of the complaint, such as lift is not operating at all, lift won't return to deck, etc...
2. Make note of any noises the lift may be making, such as grinding, clicking, buzzing, beeping. Try to identify where the noises are coming from, i.e. the actuator, battery control box, etc...
3. If a 'beeping' noise is coming from the battery, chances are the battery is dead or not charged enough to operate the lift. It is designed to have an audible alarm when it reaches below a certain charge level. Check the battery voltage (Should read >24 volts DC) and either charge the battery or replace it with a new one.
 - A. Lay the battery on a flat, dry surface.
 - B. Make sure your voltmeter is on and changed to DC mode.
 - C. Put one probe on the left metal prong and one of the right metal prong.
 - D. The voltmeter should read 24 Volts or higher for a good battery. If it reads negative it just means the probes are on backwards.
 - E. Sometimes it will test good on voltage but the amperage is insufficient.
 - F. The battery can be taken to a battery store to have an 8 amp load test done to check for proper amperage.
4. If the battery just came off the charger and is fully charged, check to make sure the charger is plugged in and charging properly. This can be done with the voltmeter.
 - A. Verify the charger is plugged into a working wall outlet.
 - B. Place one probe from your voltmeter on the left metal prong on the charger and the other probe on the right metal prong of the charger. Voltage should be reading at least 27 volts DC. If it reads negative it just means the prongs were placed backwards.
5. Verify the cords are properly seated in the control box ports and are not damaged or corroded. We suggest unplugging and then plug back in to ensure they are seated properly. Clean any corrosion off of the battery tabs and cord plugs if there is any.
 - A. Remove any protective black or gray pieces on the control box metal tabs.



LIMITED FIVE (5) YEAR WARRANTY

Aqua Creek Products, LLC (a.k.a. Aqua Creek) warrants to the original end user purchaser that products manufactured by Aqua Creek, when properly installed in accordance with assembly and installation instructions, and properly used and maintained, shall be free from defects in material and workmanship for a period of *five (5) years from the date of original purchase*, provided that Aqua Creek receives prompt notice in writing of any defect or failure and satisfactory proof thereof, with the following exception(s):

Exceptions:

All provided electrical components, including the linear actuator shall have the following warranty period:

Year 1-2: 100% Coverage

Year 3: 60% Coverage (Customer is responsible for 40% of replacement cost)

Year 4: 50% Coverage (Customer is responsible for 50% of replacement cost)

Year 5: 40% Coverage (Customer is responsible for 60% of replacement cost)

Hydraulic actuators and mesh slings shall have a warranty period of *one (1) year from the date of original purchase*.

Powder coat finish scratches, scrapes, corrosion, or dents from customers normal use, negligence, or abuse.

This warranty specifically excludes reimbursement for labor to remove, repair, or install the product and any shipping charges. These warranties do not cover any damages due to accident, force majeure, act of nature, misuse, abuse, negligence or failure to properly maintain any products, or normal wear and tear from day to day operations. In the event that any products are altered, repaired, or improperly installed or improperly used by anyone without the prior written approval by Aqua Creek, all warranties are void. **IMPORTANT: AMOUNT OF WEIGHT PLACED ON LIFT SHALL NOT EXCEED THE RATED LIFTING CAPACITY FOR THE LIFT. NEVER OPERATE THE LIFT UNDER LOAD IN A DRY POOL (WITH NO WATER IN THE POOL).** It is the responsibility of the lift owner to verify the weight of the patron for warranty claim purposes and to ensure that the lift is not overloaded. Non-payment for product to Aqua Creek may void warranty.

To initiate a warranty claim, the owner of an Aqua Creek product must provide the place of purchase, in writing, with a full description of the product, its serial number, the dates of purchase and installation, and the exact nature of the defect. Within thirty (30) days after receipt of a written warranty claim by Aqua Creek, and barring any unforeseen delays, the place of purchase will be notified of Aqua Creek's decision regarding the claim.

If requested by Aqua Creek, any defective product must be returned, freight prepaid by customer, to Aqua Creek's designated factory location or duly appointed distributor for inspection and/or repair. Aqua Creek will, at its option, repair or replace the failed or defective item, and deliver the repaired product or replacement to the customer. All freight charges are the responsibility of the customer. Products returned to Aqua Creek for which Aqua Creek provides replacement under this limited warranty shall become the property of Aqua Creek. A new warranty period shall NOT be established for the repaired or replaced products. Such products shall remain under warranty only for the remainder of the original warranty period on the original products purchased.

This written limited warranty constitutes the final, complete and exclusive statement of warranty terms. No person or organization is authorized to make any other specific or implied warranties or representations on behalf of Aqua Creek.

THE WARRANTIES SET FORTH HEREIN ARE IN LIEU OF ALL OTHER WARRANTIES, EXPRESSED OR IMPLIED, WHICH ARE HEREBY DISCLAIMED AND EXCLUDED, INCLUDING WITHOUT LIMITATION ANY WARRANTY OF MERCHANTABILITY OR FITNESS FOR A PARTICULAR PURPOSE OR USE.

THE SOLE AND EXCLUSIVE REMEDIES FOR BREACH OF ANY AND ALL WARRANTIES WITH RESPECT TO THE PRODUCTS SHALL BE LIMITED TO REPAIR OR REPLACEMENT AT AQUA CREEK'S DESIGNATED FACTORY LOCATION, OR DULY APPOINTED DISTRIBUTOR, OR IN PLACE AT AQUA CREEK'S OPTION. IN NO EVENT SHALL AQUA CREEK'S LIABILITY EXCEED THE ENTIRE AMOUNT PAID TO AQUA CREEK BY THE ORIGINAL PURCHASER FOR THE FAILED OR DEFECTIVE PRODUCT. IN NO EVENT SHALL AQUA CREEK PRODUCTS, LLC BE LIABLE FOR ANY INCIDENTAL, CONSEQUENTIAL, SPECIAL, INDIRECT, PUNITIVE OR EXEMPLARY DAMAGES OR LOST PROFITS FROM ANY BREACH OF THIS LIMITED WARRANTY OR OTHERWISE.

THIS WARRANTY GIVES YOU SPECIFIC LEGAL RIGHTS AND YOU MAY ALSO HAVE OTHER RIGHTS, WHICH MAY VARY FROM STATE TO STATE. SOME STATES DO NOT ALLOW THE EXCLUSION OR LIMITATION OF INCIDENTAL, SPECIAL OR CONSEQUENTIAL DAMAGES, SO SOME OF THE ABOVE LIMITATIONS OR EXCLUSIONS MAY NOT APPLY TO YOU.