



INSTALLATION & OPERATION MANUAL

MODEL: RANGER 2 -FLAT PACK
CATALOG #: F-RNGR2-KD

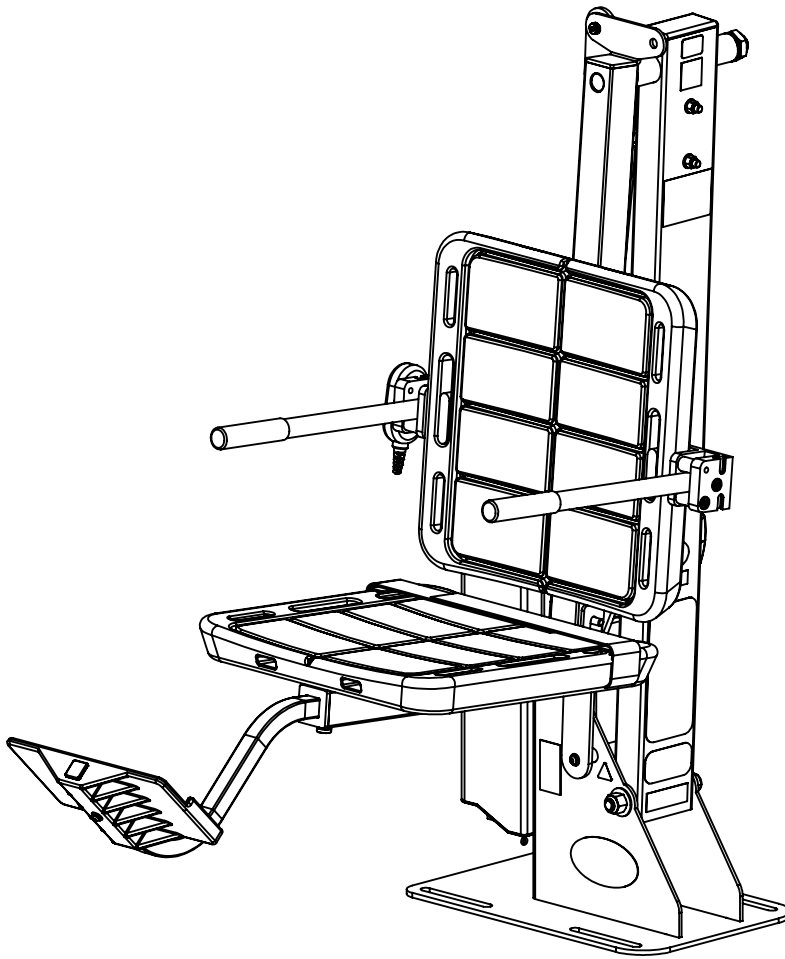




TABLE OF CONTENTS

SAFETY INFORMATION.....	3
ADA REQUIREMENTS FOR POOL LIFTS (US ONLY).....	4
PRODUCT OVERVIEW AND APPLICATIONS.....	5
COMPATIBLE ANCHORING OPTIONS	5
PRODUCT INSPECTION	5
PRODUCT COMPONENTS.....	6
COMPONENT REVIEW	7
PRODUCT ASSEMBLY.....	12
OPERATION INSTRUCTIONS.....	23
LIFT INSPECTION	24
MAINTENANCE INSTRUCTIONS.....	28
WARRANTY INFORMATION.....	29
BASIC TROUBLESHOOTING.....	30



IMPORTANT SAFETY INFORMATION



SAVE THESE INSTRUCTIONS

READ ALL INSTRUCTIONS BEFORE USING

WARNING - To reduce the risk of injury, do not permit children to use this product unless they are closely supervised at all times.

This appliance is not intended for use by persons (including children) with reduced physical, sensory or mental capabilities, or lack of experience and knowledge, unless they have been given supervision or instruction concerning the use of the appliance by a person responsible for their safety.

A wire connector is provided on this appliance to connect a minimum 8AWG (8.4mm²) solid copper conductor between this unit and the means of equipotential bonding.

Check appliance periodically for signs of deterioration: Keep all nuts, bolts and screws tight to be sure the lift is in safe working condition.

Affix the supplied "ADA POOL/SPA LIFT" sign in a location visible from the appliance at all times.

Rechargeable batteries are to be removed from the appliance before being charged. Batteries are to be installed with the correct polarity. If the appliance is to be stored unused for a long period of time, the batteries should be removed and stored on the wall mounted charger to maintain the battery charge. The supply terminals are NOT to be short-circuited.

REDUCE THE RISK OF DROWNING

- Never swim alone.
- Never use the appliance to enter an empty pool.
- Never apply direct water pressure to the electronics.
- Never permit children to play on or around this appliance.
- Supervise children at all times.

DO NOT jump or dive from this appliance.

Seat may be hot, use caution when entering.

Keep appliance covered when not in use. Inspect and clean before use.

READ CAREFULLY

Check the entire box and all packing materials for parts. Before beginning assembly, read the instructions and identify parts using the figures and parts listed in this document. It is critical that all parts be carefully inspected prior to installation. If any damage occurred in transit, Aqua Creek Products LLC must be notified within three (3) days of receipt. Proper installation cannot be over-stressed, as an improper installation will void Aqua Creek's warranty and may affect the safety of the user.

ADA REQUIREMENTS FOR POOL LIFTS* (US ONLY)

1009.2.1 Pool Lift Location

Pool lift shall be located where the water level does not exceed 48". If entire pool water level exceeds 48", place pool lift where convenient.

1009.2.2 Seat Location

In the raised position, the centerline of the seat shall be located over the deck a minimum of 16" from the edge of the pool.

1009.2.3 Clear Deck Space

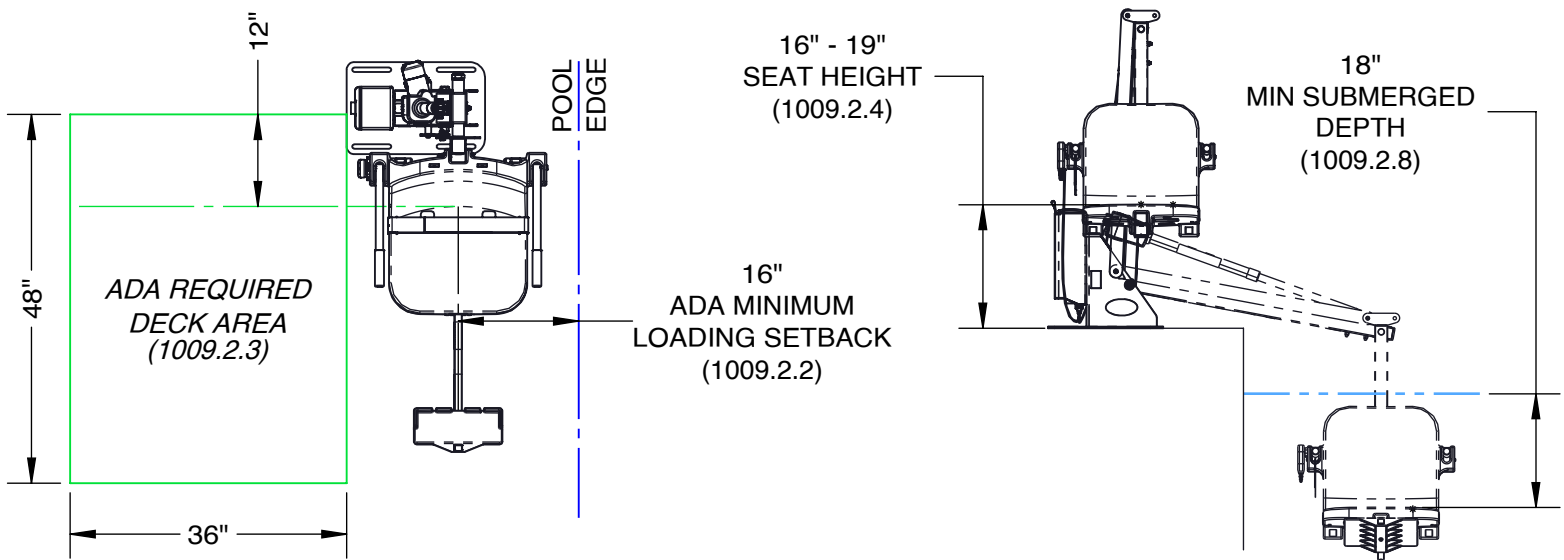
On the side of the seat opposite the water; a clear deck space shall be provided parallel with the seat. The space shall be 36" wide minimum and shall extend forward 48" minimum from a line located 12" behind the rear edge of the seat.

1009.2.4 Seat Height

The lift shall stop at 16" - 19" measured from the deck to the top of the seat surface when in the loading position.

1009.2.8 Submerged Depth

The lift shall submerge the seat a minimum of 18" below the stationary water level.



*Compliance with ADA is the responsibility of the pool owner. Visit www.ada.gov for complete guidelines.

PRODUCT OVERVIEW AND APPLICATIONS

The ADA Compliant, UL Certified, Pro Pool Series, Ranger™ 2 lift is very affordable and is the perfect choice for most in-ground pools or spas. The Ranger™ 2 can be found in hundreds of hotels and motels as well as backyard pools throughout the world.

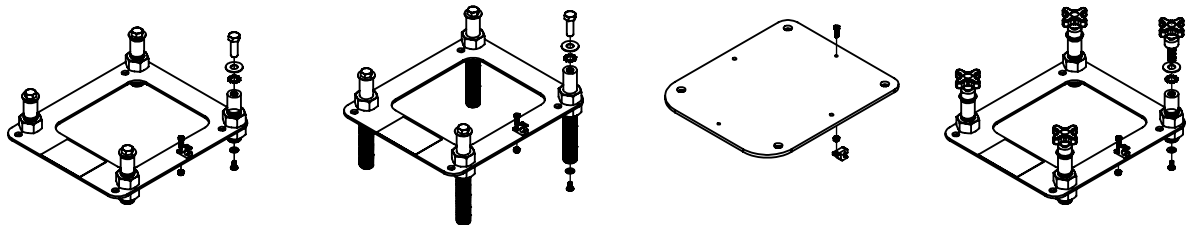
This is a unique, non-rotating lift that also provides a low profile and small footprint making it an incredibly solid, durable, and reliable product that blends in with almost any décor. Users access their pools sitting in the seat parallel to the lift and side of their pool in a single out-and-down motion. This seating position, and the smooth motion into the pool, gives the user a greater feeling of security.

The break down capabilities of the seat option on the Knock Down version of this best seller allows for even easier storage and transport of the Ranger 2.

COMPATIBLE ANCHORING OPTIONS

The RANGER 2 will work with the following anchors. Anchor must be installed before the lift installation can begin. All anchors are sold separately. Contact your dealer or visit our website at www.aquacreek.com for additional anchor options.

STANDARD ANCHOR OPTIONS				
DESCRIPTION	PRO SERIES STANDARD ANCHOR	PRO SERIES PAVER ANCHOR	PRO SERIES WOOD DECK ANCHOR	QUICK ATTACH ANCHOR
CATALOG NO.	F-04CAJP	F-08CAJP	F-40220-AT1	F-046QAB-AT1
PART NO.	INV01411	INV01414	INV01444	INV01406



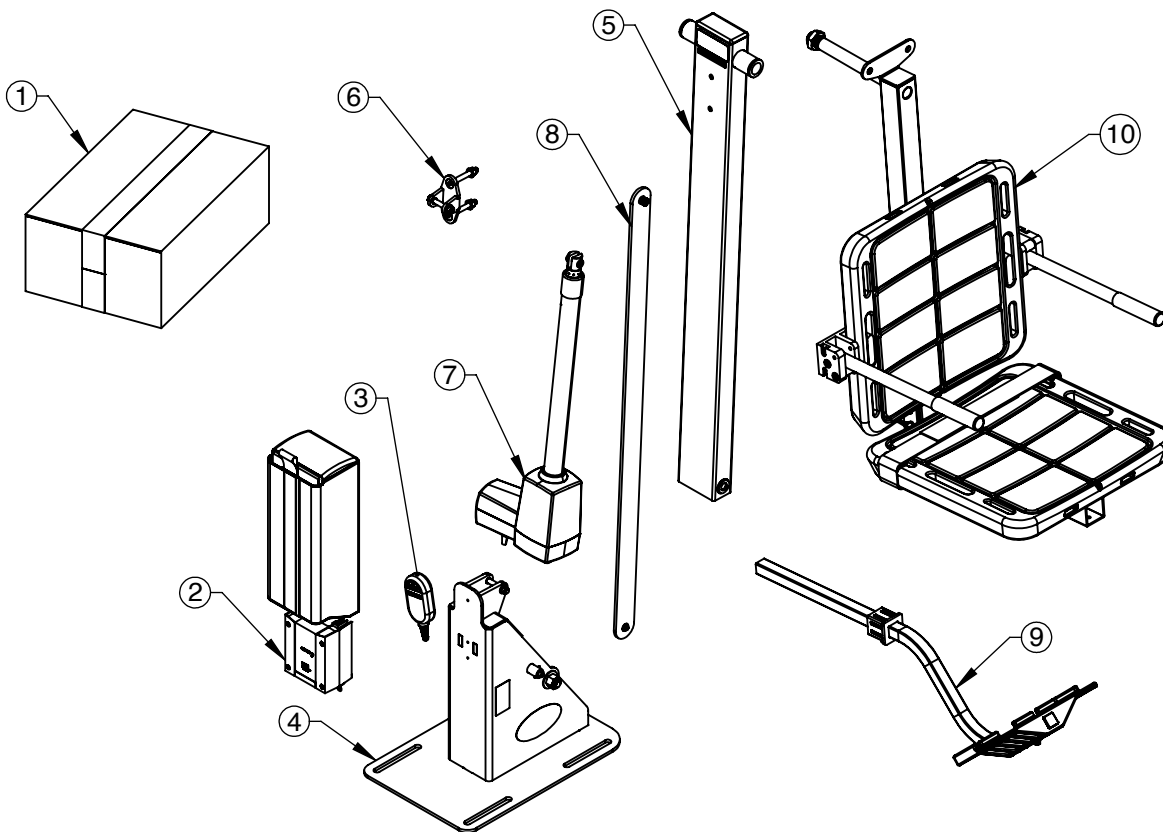
UNPACKING YOUR LIFT

As you unpack your new lift, please inspect all parts for damage from shipping and handling as parts may have shifted in transit. Please refer to the following checklist to ensure all parts are accounted for before you begin your assembly.

PRODUCT COMPONENTS

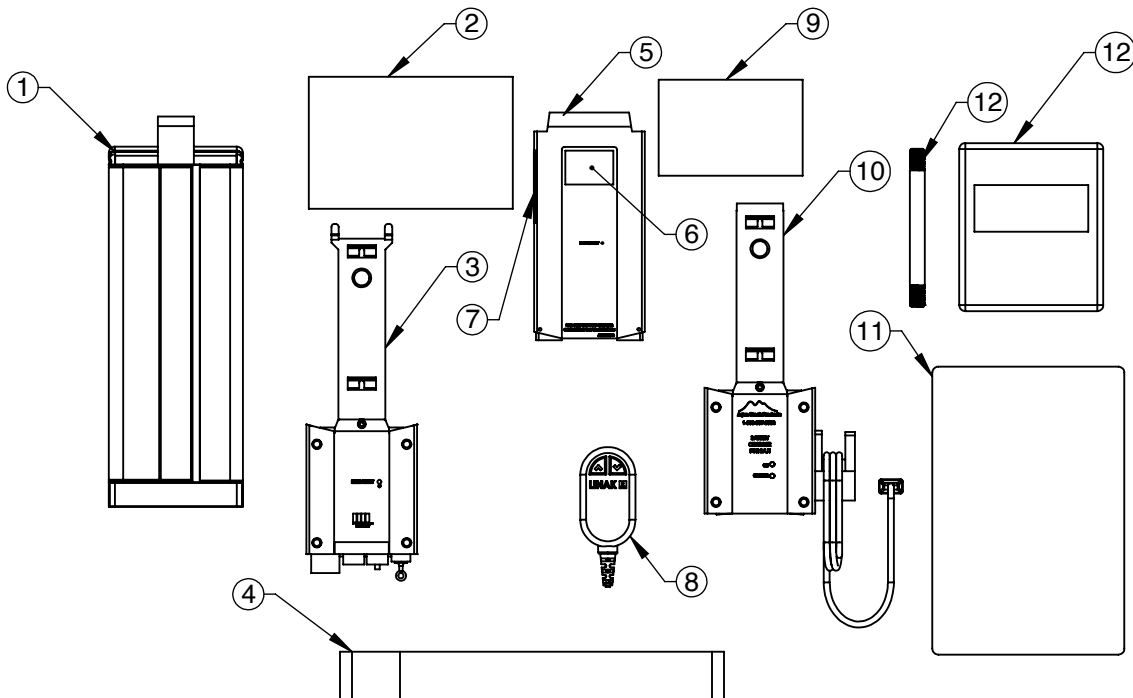
RANGER 2 -FLAT PACK - INV03418					
ITEM	PART NO.	QTY.	REV.	DESCRIPTION	REORDER
1	INV03459	1	2	STOCK BOX - LINAK - KD - RNGR2	
2	INV03562	1	1	ASSEMBLY - CONTROL BOX MOUNT - LINAK (NON-ROTATIONAL)	
3	INV01846	1	1	REMOTE - 2 BUTTON LINAK	
4	INV03034	1	2	ASSEMBLY - BASE	
5	INV03064	1	1	ASSEMBLY - LIFTING ARM	
6	INV02998	1	1	ASSEMBLY - ACTUATOR BRACKET	
7	INV03584	1	2	ACTUATOR KIT - 400MM - LINAK NON-ROTATIONAL	
8	INV03067	1	1	ASSEMBLY - CONTROL ARM	
9	INV01903	1	1	ACCESSORY - FOOTREST - BLUE	
10	INV03411	1	1	ASSEMBLY - RNGR2 BREAK DOWN SEAT CRADLE	
11	INV01701	1	-	LABEL SHEET - RANGER 2	

2 & 3 - PART OF STOCK BOX
11 - NOT SHOWN

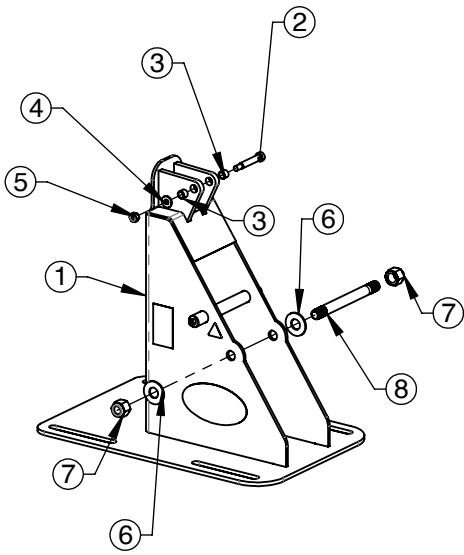


COMPONENT REVIEW

KD STOCK BOX RANGER 2 - LINAK - PART NO. INV03459					
ITEM	PART NO.	QTY.	REV.	DESCRIPTION	REORDER
1	INV00588	1	1	COVER - UNIVERSAL BATTERY - BLUE	
2	INV00665	1	1	LABEL #75 - SAFETY CARD	
3	INV03562	1	1	ASSEMBLY - CONTROL BOX MOUNT - LINAK (NON-ROTATIONAL)	
4	INV00534	1	-	CHAIR - SEAT BELT	
5	INV00340	1	-	BATTERY - LINAK 24V - 2PC	
6	INV01804	1	-	LABEL #146 - DAILY CHARGE	
7	INV00646	1	-	LABEL #133 - PROP 65 (BATTERY)	
8	INV01846	1	1	REMOTE - 2 BUTTON LINAK	
9	INV00670	1	1	LABEL #87 - PROPER CARE	
10	INV03559	1	1	ASSEMBLY - WALL CHARGER (LINAK)	
11	INV00578	1	1	SIGN - "ADA LIFT AVAILABLE" (AQUA CREEK)	
12	INV03631	1	1	ASSEMBLY - RANGER 2 HARDWARE KIT W/ THREADED STUD	

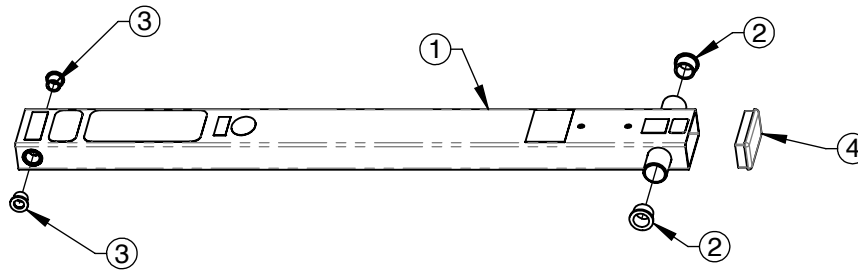


COMPONENT REVIEW



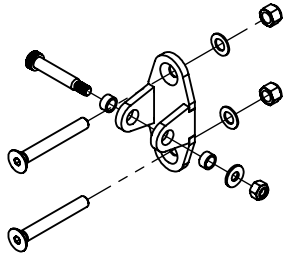
ASSEMBLY - BASE - PART NO. INV03034					
ITEM	PART NO.	QTY.	REV.	DESCRIPTION	REORDER
1	INV02090	1	1	WELDMENT - BASE - RGR2	
2	INV00464	1	-	BS - 3/8"X2"X5/16"-18 SHOULDER BOLT	
3	INV00448	2	-	BRB - 1/2"X3/8"X3/8" BRONZE BUSHING	
4	INV01176	1	-	WF - 5/16" FLAT WASHER	
5	INV00742	1	-	NN - 5/16"-18 NYLOCK NUT	
6	INV01178	2	-	WF - 5/8" FLAT WASHER	
7	INV00744	2	-	NN - 5/8"-11 NYLOCK NUT	
8	INV03377	1	2	MACHINED - TS - 5/8"-16X6.59" THREADED STUD	

ASSEMBLY - LIFTING ARM - PART NO. INV03064					
ITEM	PART NO.	QTY.	REV.	DESCRIPTION	REORDER
1	INV02092	1	1	WELDMENT - LIFTING ARM	
2	INV00436	2	-	BRB - 1"X1 1/4"X3/4"X1/8" BRONZE BUSHING	
3	INV00444	2	-	BRB - 5/8"X7/8"X3/4"X1/8" BRONZE BUSHING	
4	INV00980	1	-	END CAP - RECT. 2.00"X4.00"X.120"	

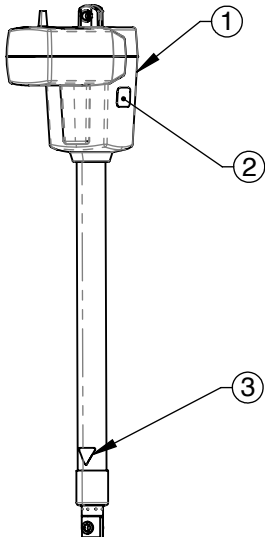


*ALL LABELS (EXCEPT BATTERY LABELS) INCLUDED IN "LABEL SHEET" ON REORDER PAGE

COMPONENT REVIEW

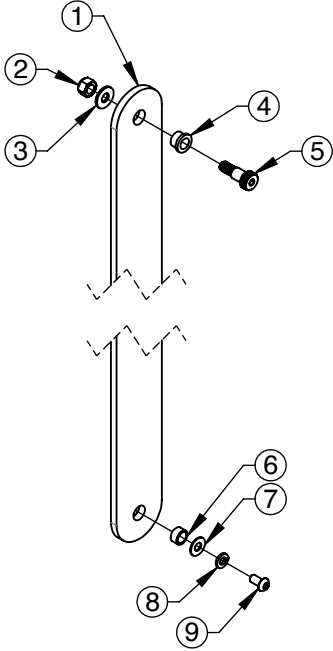


ASSEMBLY - ACTUATOR BRACKET - INV02998					
ITEM	PART NO.	QTY.	REV.	DESCRIPTION	REORDER
1	INV02018	1	1	WELDMENT - ACTUATOR BRACKET	
2	INV00447	2	-	BRB - 3/8"X1/2"X1/4" BRONZE BUSHING	
3	INV00462	1	-	BS - 3/8"X1 3/4"X5/16"-18 SHOULDER BOLT	
4	INV01174	2	-	WF - 3/8" FLAT WASHER	
5	INV00739	2	-	NN - 3/8"-16 NYLOCK NUT	
6	INV00366	2	-	BC - 3/8"-16X3" FLAT HEAD BOLT	
7	INV00742	1	-	NN - 5/16"-18 NYLOCK NUT	
8	INV01176	1	-	WF - 5/16" FLAT WASHER	

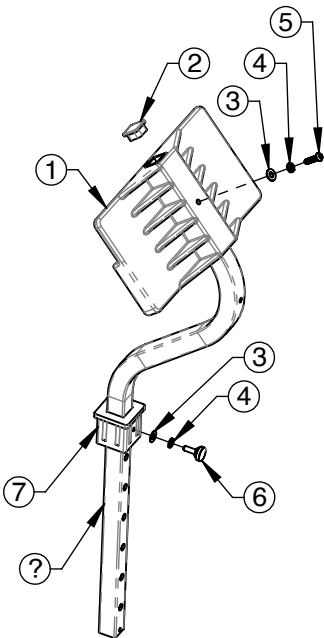


ACTUATOR KIT - 400MM - LINAK NON-ROTATIONAL - INV03584					
ITEM	PART NO.	QTY.	REV.	DESCRIPTION	REORDER
1	INV00239	1	-	ACTUATOR - LINAK - 400MM	
2	INV00652	1	P1	LABEL #139 - ACTUATOR	
3	INV00647	1	-	LABEL #134 - PINCH POINT	

COMPONENT REVIEW

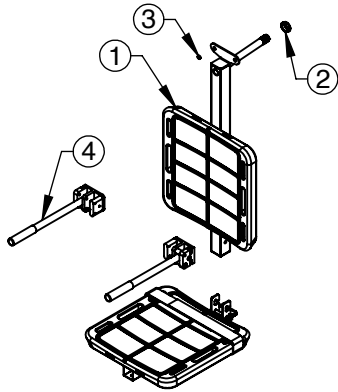


ASSEMBLY - CONTROL ARM - PART NO. INV03067					
ITEM	PART NO.	QTY.	REV.	DESCRIPTION	REORDER
1	INV01874	1	1	LASER/WJ - CONROL ARM	
2	INV00742	1	-	NN - 5/16"-18 NYLOCK NUT	
3	INV01176	1	-	WF - 5/16" FLAT WASHER	
4	INV00440	1	-	BRB - 3/8"x1/2"x3/8"x3/32" BRONZE BUSHING	
5	INV00467	1	-	BS - 3/8"x9/16"x5/16"-18 SHOULDER BOLT	
6	INV00447	1	-	BRB - 3/8"x1/2"x1/4" BRONZE BUSHING	
7	INV01170	1	-	WF - 1/4" FLAT WASHER	
8	INV01182	1	-	WL - 1/4" LOCK WASHER	
9	INV00345	1	-	BB - 1/4"-20X1/2" BUTTON HEAD BOLT	

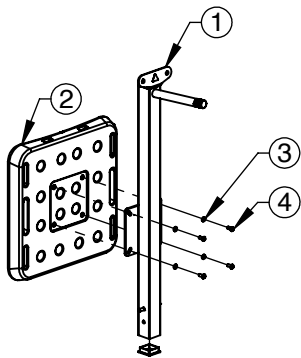


ACCESSORY - FOOTREST - BLUE - PART NO. INV01903					
ITEM	PART NO.	QTY.	REV.	DESCRIPTION	REORDER
1	INV01894	1	1	PART - LEG/FOOTREST - BLUE	
2	INV01078	1	-	END CAP - SQR. 1.00"x.120"	
3	INV01170	2	-	WF - 1/4" FLAT WASHER	
4	INV01182	2	-	WL - 1/4" LOCK WASHER	
5	INV00341	1	-	BOLT - BHSCS 1/4"-20X1"	
6	INV02364	1	-	KNOB - 3/4" KNURLED - 1/4-20 X 3/4"	
7	INV01578	1	1	PART - LEG/FOOTREST INSERT	
8	INV02465	1	2	LASER/WJ - FOOTREST W/HOLES	

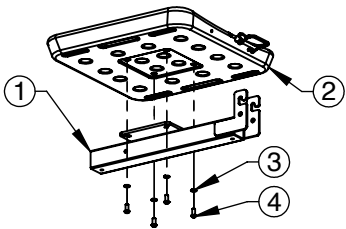
COMPONENT REVIEW



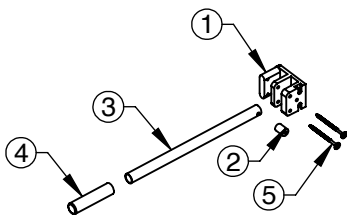
ASSEMBLY - RNGR2 BREAK DOWN SEAT CRADLE - PART NO. INV03411					
ITEM	PART NO.	QTY.	REV.	DESCRIPTION	REORDER
1	INV03450	1	1	ASSEMBLY - KNOCK DOWN RNGR2 VERTICAL SEAT	
2	INV00746	1	-	NNJ - 1"-8 NYLOCK JAM NUT	
3	INV00439	1	-	BRB - 3/8"X1/2"X3/16" - BRONZE BUSHING	
4	INV03468	1	1	ASSEMBLY - KNOCK DOWN ARMREST	
5	INV03409	1	1	ASSEMBLY - KNOCK DOWN SEAT HORIZONTAL	



ASSEMBLY - KNOCK DOWN RNGR2 VERTICAL SEAT - PART NO. INV03450					
ITEM	PART NO.	QTY.	REV.	DESCRIPTION	REORDER
1	INV03410	1	1	WELDMENT - BREAK DOWN SEAT CRADLE VERTICAL	
2	INV03423	1	1	18.00" SEAT HALF W/ INSERTS	
3	INV01184	4	P1	WL - 5/16" LOCK WASHER	
4	INV02494	4	-	BB - 5/16"-18 X 3/4" BUTTON HEAD BOLT	
5	INV01082	1	-	END CAP - SQR. 2.00"X.120"	
6	INV00647	1	-	LABEL #134 - PINCH POINT	



ASSEMBLY - KNOCK DOWN SEAT HORIZONTAL - PART NO. INV03409					
ITEM	PART NO.	QTY.	REV.	DESCRIPTION	REORDER
1	INV03404	1	P1	WELDMENT - QUICK ATTACH CRADLE (HORIZONTAL)	
2	INV03423	1	1	18.00" SEAT HALF W/ INSERTS	
3	INV01184	4	P1	WL - 5/16" LOCK WASHER	
4	INV02494	4	-	BB - 5/16"-18 X 3/4" BUTTON HEAD BOLT	
5	INV03408	1	P1	SP - 3/8"X2 7/8" SNAP PIN	



ASSEMBLY - KNOCK DOWN ARMREST - PART NO. INV03468					
ITEM	PART NO.	QTY.	REV.	DESCRIPTION	REORDER
1	INV03455	2	1	MACHINED - KNOCK DOWN ARMREST MOUNT	
2	INV03456	3	1	BAR STOP STAND OFF	
3	INV02227	2	1	MAKE - ARMREST TUBE	
4	INV01031	2	-	HAND GRIP - RUBBER 1.00" DIA.	
5	INV03457	4	-	4" FLANGED ROUND TORX HEAD	

PRODUCT ASSEMBLY

- READ ALL INSTRUCTIONS FULLY AND USE ALL COMPONENTS SHOWN IN EACH STEP BEFORE MOVING ON TO THE NEXT STEP.
- ADD A SMALL AMOUNT OF ANTI-SEIZE TO ALL THREADS DURING ASSEMBLY (PACKET PROVIDED). THIS WILL HELP PREVENT SEIZING OF BOLTS.

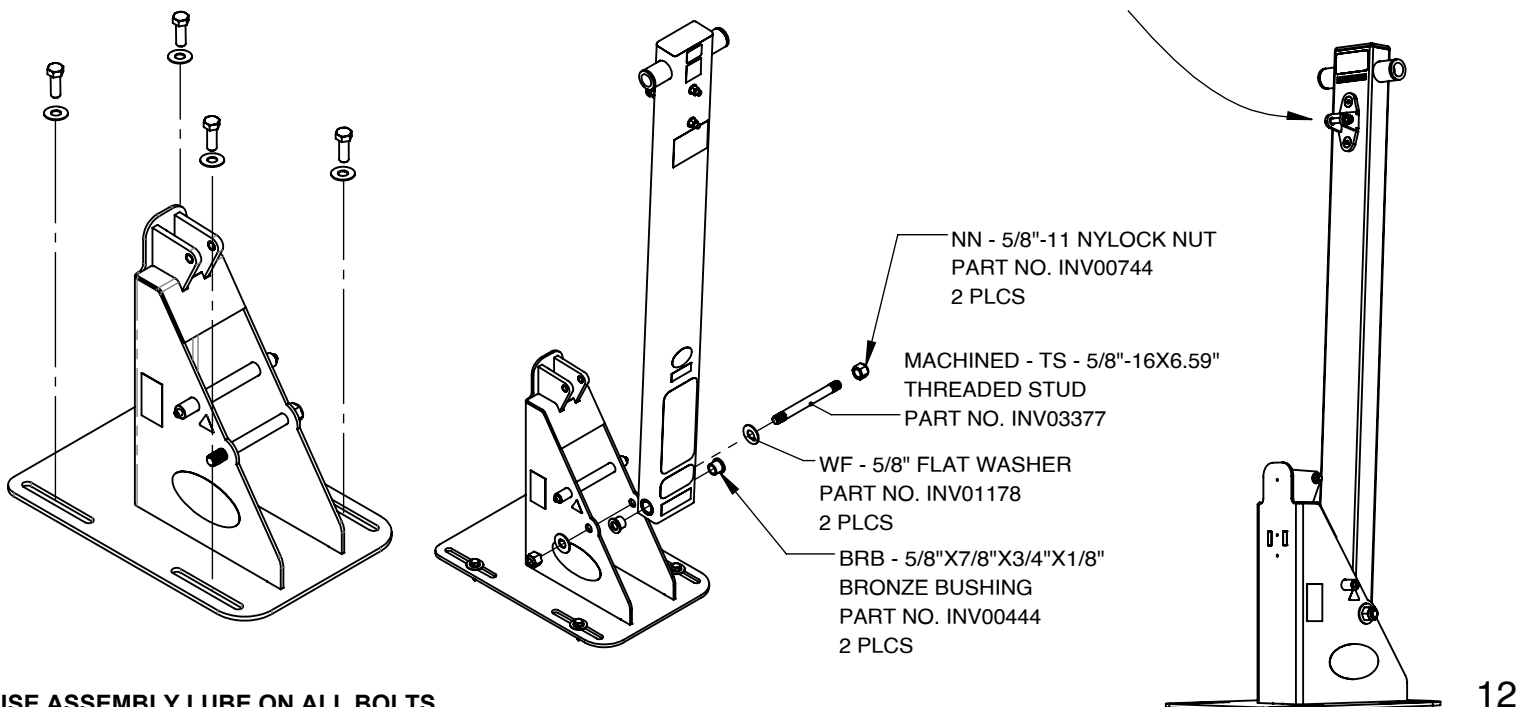
SCAN QR CODE FOR VIDEO ASSEMBLY GUIDANCE →



REQUIRED TOOLING	
SOCKETS/WRENCHES	ALLEN KEYS/TORX
7/16"	5/32"
1/2"	3/16"
9/16"	7/32"
15/16"	T-30
1 1/2"	

STEP 1) MOUNT BASE TO PREVIOUSLY INSTALLED ANCHOR USING USING 1/2" BOLTS AND WASHERS INCLUDED WITH ANCHOR

STEP 2) ENSURE BRONZE BUSHINGS ARE INSTALLED IN THE MAIN FRAME AS SHOWN. ATTACH MAIN FRAME TO THE BASE USING A 5/8"-11 X 5-7/8" THREADED STUD, TWO FLAT WASHERS (ONE EACH SIDE OF BASE), AND A NYLOCK NUT. MAKE SURE THE ACTUATOR BRACKET (INSTALLED ON THE MAIN FRAME AT THE FACTORY) IS FACING TOWARDS THE BASE AS SHOWN.

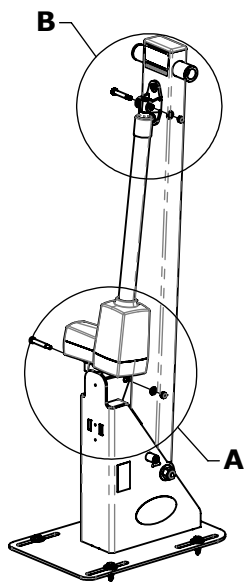


*USE ASSEMBLY LUBE ON ALL BOLTS

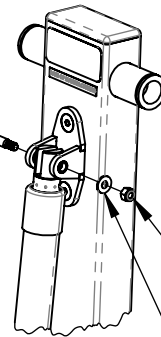
12

PRODUCT ASSEMBLY

STEP 3) INSTALL THE MOTOR HOUSING END OF THE ACTUATOR TO THE BASE AS SHOWN IN DETAIL A. USE A 3/8" X 2" SHOULDER BOLT, WASHER AND NYLOCK NUT. *THIS LIFT IS DESIGNED TO BE ABLE TO REVERSE WHICH SIDE OF THE LIFT THE CHAIR IS ON.* THE ACTUATOR MOTOR PROTRUSION SHOULD BE INSTALLED POINTING TO THE OPPOSITE SIDE THAT THE CHAIR IS INTENDED TO BE ON. SEE DETAIL "REVERSED" BELOW FOR REVERSED EXAMPLE. ATTACH THE OPPOSITE END OF THE ACTUATOR TO THE MAIN FRAME AS SHOWN IN DETAIL B. USE A 3/8" X 1-3/4" SHOULDER BOLT, WASHER AND NYLOCK NUT.



BS - 3/8"X1 3/4"X5/16"-18 SHOULDER BOLT
PART NO. INV00462

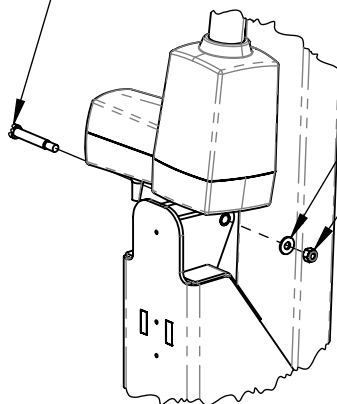


NN - 5/16"-18 NYLOCK NUT
PART NO. INV00742

DETAIL B

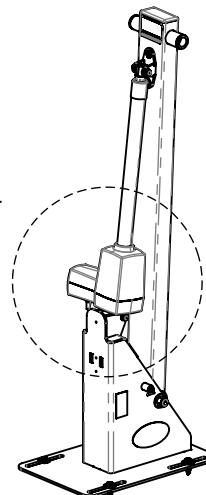
WF - 5/16" FLAT WASHER
PART NO. INV01176

BS - 3/8"X2"X5/16"-18 SHOULDER BOLT
PART NO. INV00464

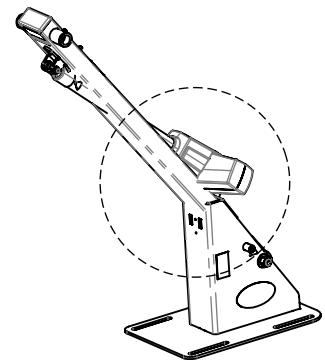


DETAIL A

WF - 5/16" FLAT WASHER
PART NO. INV01176
NN - 5/16"-18 NYLOCK NUT
PART NO. INV00742



**"STANDARD"
INSTALLATION**



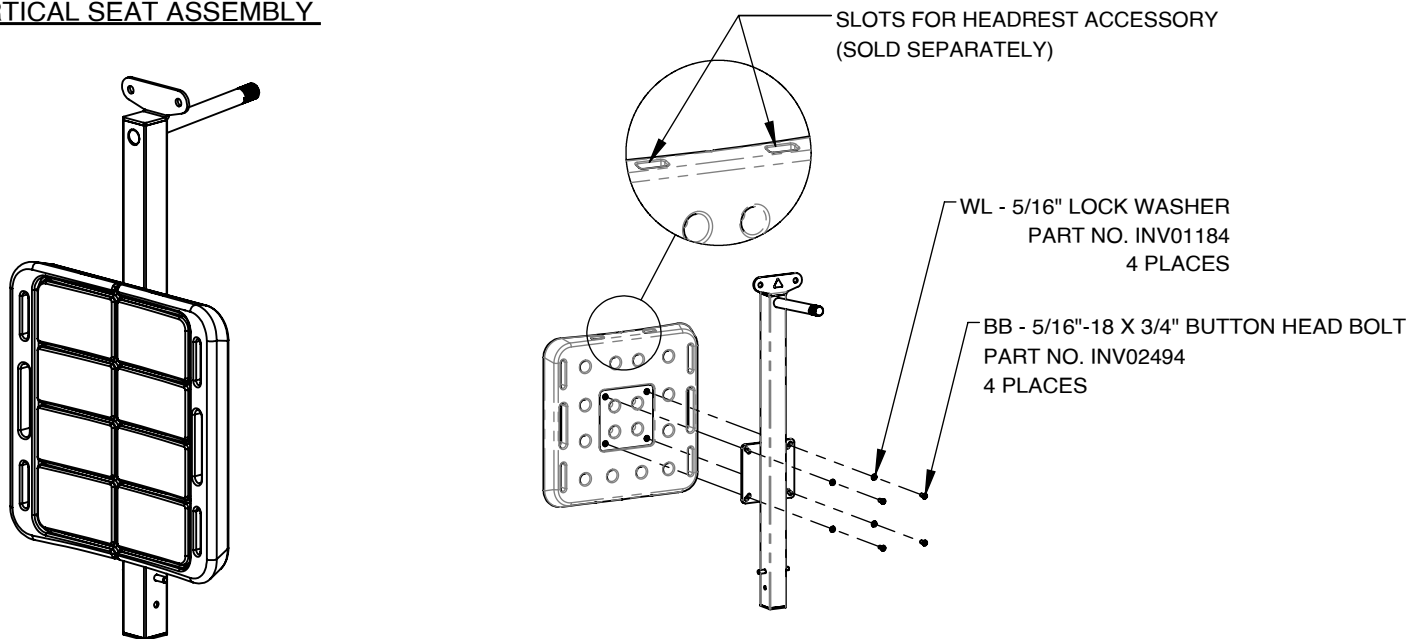
**"REVERSED"
INSTALLATION**

*USE ASSEMBLY LUBE ON ALL BOLTS

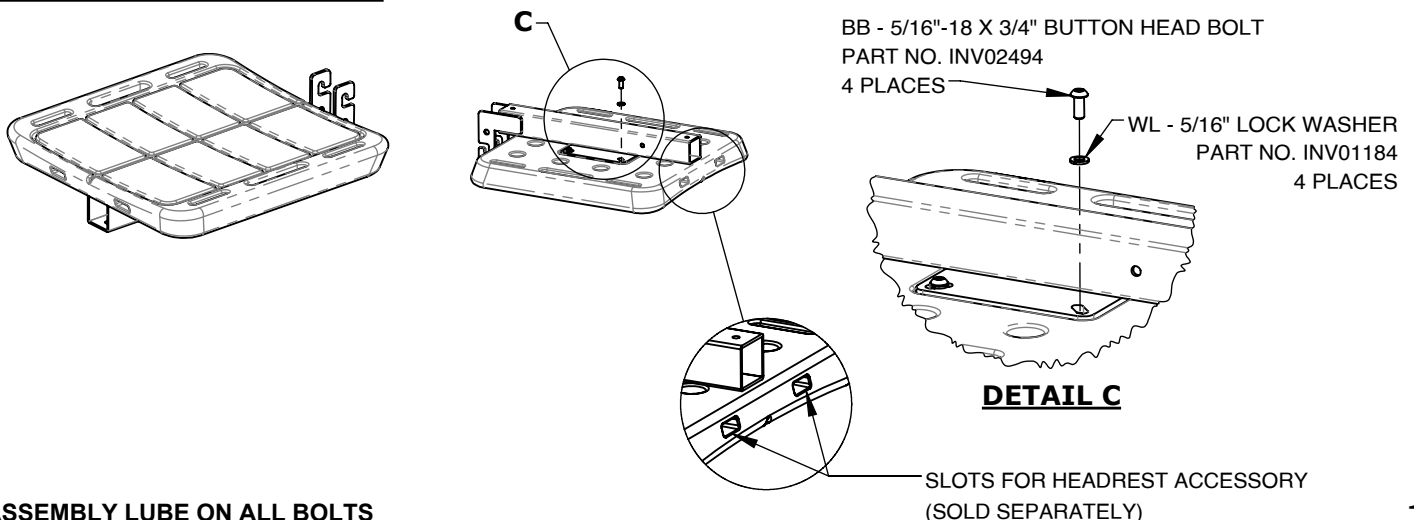
PRODUCT ASSEMBLY

STEP 4) INSTALL THE SEAT SECTIONS TO SEAT CRADLE PIECES (VERTICAL AND HORIZONTAL) AS SHOWN USE FOUR 5/16"-18 BUTTON HEAD BOLTS AND WASHERS PER SEAT SECTION. ENSURE ORIENTATION OF HEADREST SLOTS ARE UPRIGHT AS SHOWN ON VERTICAL SEAT CRADLE, AND FACING OUTWARD ON THE HORIZONTAL SEAT CRADLE SO THAT THE DRAINAGE HOLES ARE FACING DOWNWARD AND TOWARDS THE REAR OF THE SEAT ASSEMBLY.

VERTICAL SEAT ASSEMBLY



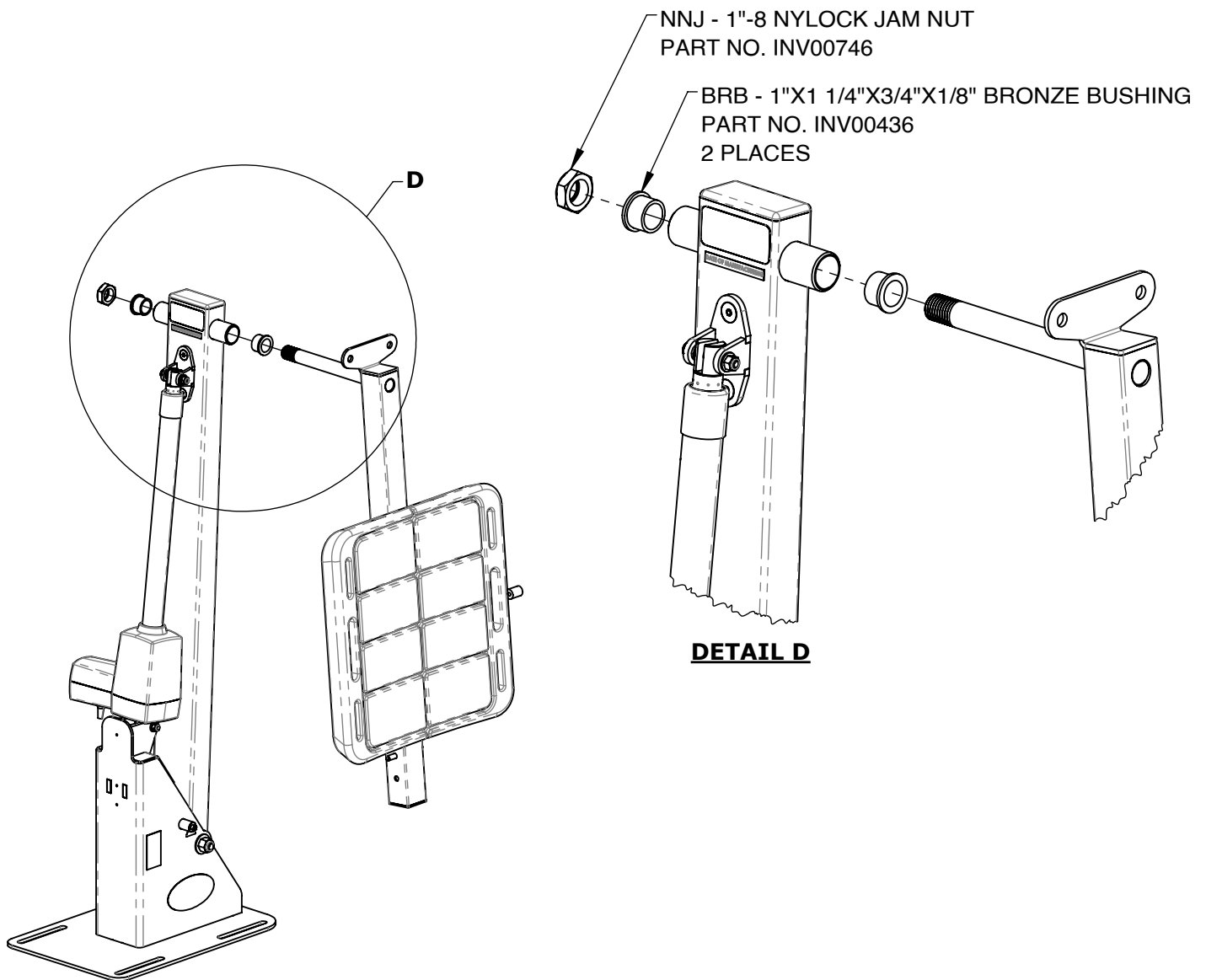
HORIZONTAL SEAT ASSEMBLY



*USE ASSEMBLY LUBE ON ALL BOLTS

PRODUCT ASSEMBLY

STEP 5) INSTALL THE VERTICAL SEAT CRADLE ON THE MAIN FRAME AWAY FROM ACTUATOR CASE PROTRUSION AS SHOWN IN DETAIL D. ENSURE THE BRONZE BUSHINGS ARE INSTALLED INTO THE MAIN FRAME AS SHOWN. INSTALL THE 1-8 NYLOCK JAM NUT, BUT DO NOT TIGHTEN AT THIS TIME.

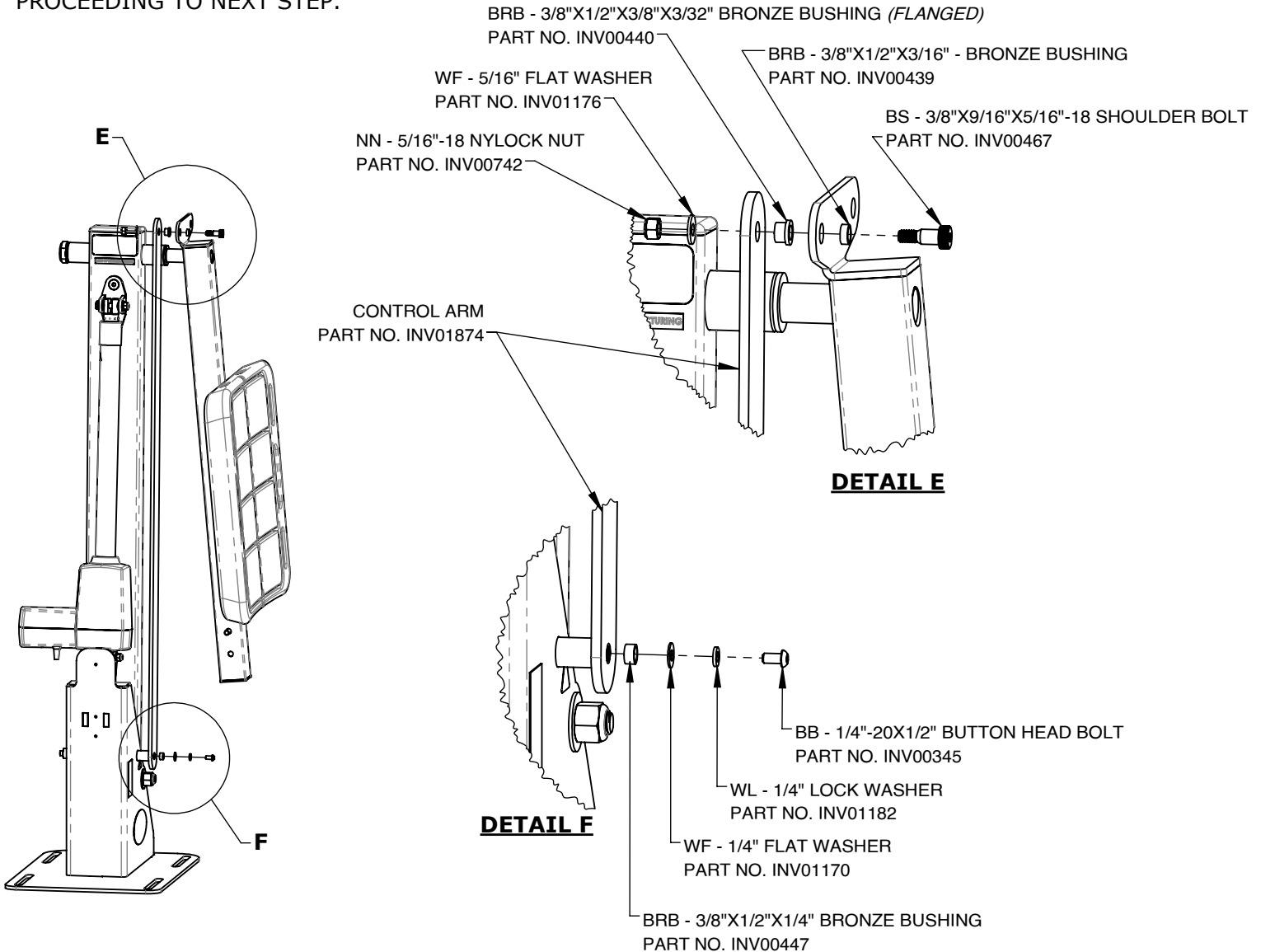


*USE ASSEMBLY LUBE ON ALL BOLTS

PRODUCT ASSEMBLY

STEP 6) INSTALL THE CONTROL ARM TO THE TOP OF THE SEAT CRADLE BRACKET. ENSURE THE FLANGED BRONZE BUSHING IS ORIENTED CORRECTLY IN THE CONTROL ARM, AND NON-FLANGED BUSHING IS SEATED IN THE SEAT CRADLE. USE $\frac{3}{8}$ " X 9/16" SHOULDER BOLT AND WASHER WITH NYLOCK NUT (SEE DETAIL E).

STEP 7) INSTALL A $\frac{1}{4}$ "-20 BUTTON HEAD SCREW WITH A LOCK WASHER AND FLAT WASHER WHERE THE CONTROL ARM IS ATTACHED TO THE BASE (SEE DETAIL F). MAKE SURE BOTH ARE TIGHT BEFORE PROCEEDING TO NEXT STEP.



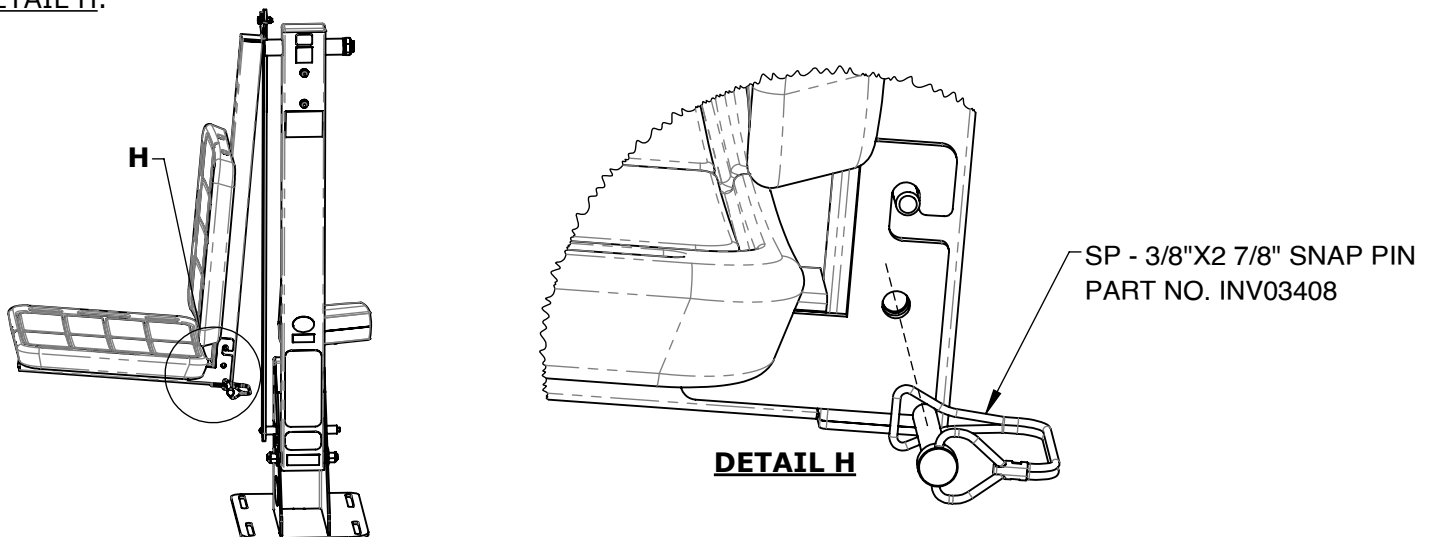
*USE ASSEMBLY LUBE ON ALL BOLTS

PRODUCT ASSEMBLY

STEP 8) FULLY TIGHTEN THE 1-8 NYLOCK JAM NUT FROM **STEP 5** THAT HOLDS THE SEAT CRADLE TO THE MAIN FRAME AS SHOWN IN DETAIL G.



STEP 9) ATTACH THE HORIZONTAL SEAT CRADLE SECTION TO THE VERTICAL SEAT CRADLE SECTION BY HOOKING THE PIN ON THE BOTTOM OF THE VERTICAL TUBE. ALLOW THE HORIZONTAL TUBE TO MAKE FLUSH CONTACT WITH THE VERTICAL TUBE AND INSTALL THE SNAP PIN AS SHOWN IN THRU HOLE IN DETAIL H.



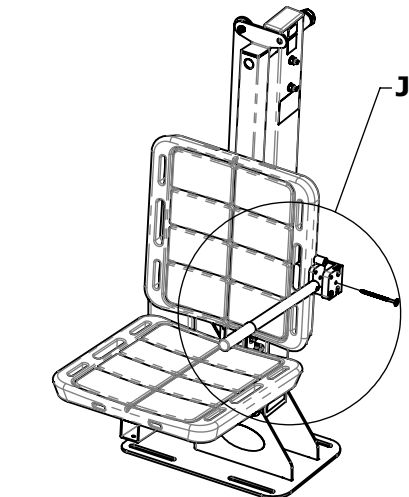
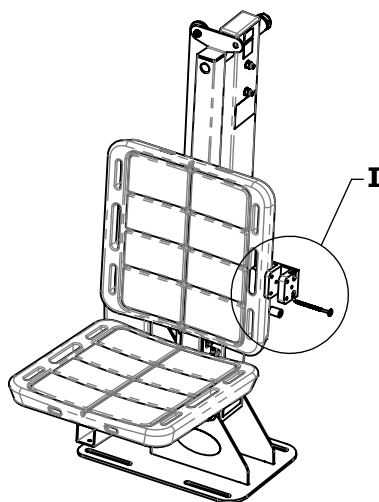
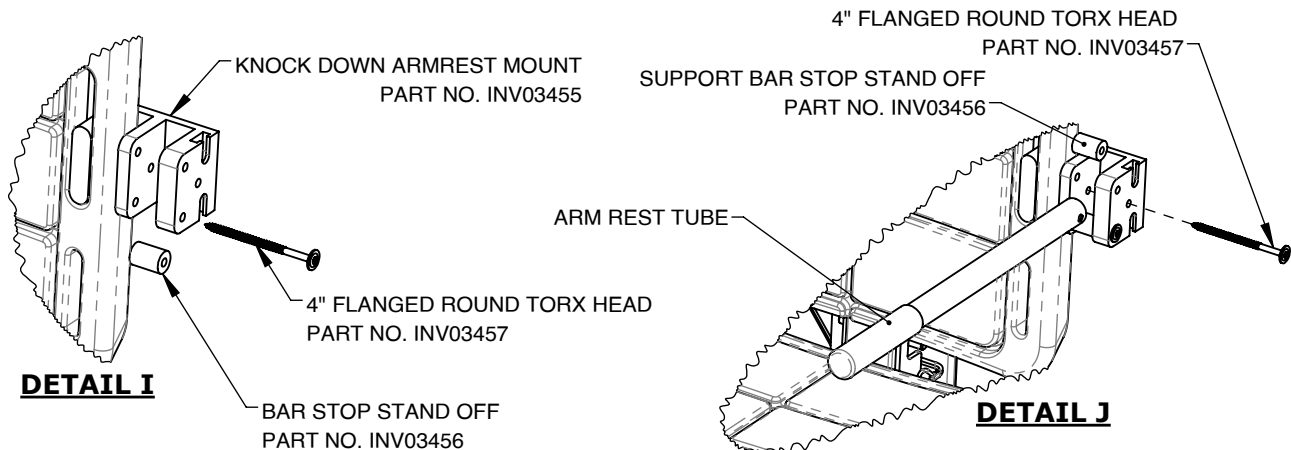
*USE ASSEMBLY LUBE ON ALL BOLTS

17

PRODUCT ASSEMBLY

STEP 10) INSTALL THE ARMRESTS AS SHOWN ON BOTH SIDES OF THE VERTICAL MOUNTED SEAT SECTION.

1. ENSURE MOUNT IS ORIENTED CORRECTLY AND COMPLETELY IN CENTER SLOT, CONTACTING BOTTOM OF SLOT
2. INSERT FLANGED TORX HEAD SCREW THROUGH LOWER MOUNT HOLE, BAR STOP, AND SIDE OF SEAT (SEE DETAIL I).
3. ALIGN ARMREST TUBE AND TORX SCREW USING THE CENTRAL MOUNT HOLE.
4. PARTIALLY INSERT TORX SCREW TO HOLD ARMREST IN PLACE.
5. POSITION EXTRA BAR STOP ABOVE ARMREST TUBE INSIDE OF THE MOUNT WALLS. THIS WILL PREVENT OVER TIGHTENING OF SCREW (SEE DETAIL J).
6. FULLY TIGHTEN SECOND TORX SCREW
7. REMOVE EXTRA BAR STOP
8. REPEAT STEPS 10.1-7 ON OTHER SIDE, REUSING EXTRA BAR STOP ON STEP 10.5.

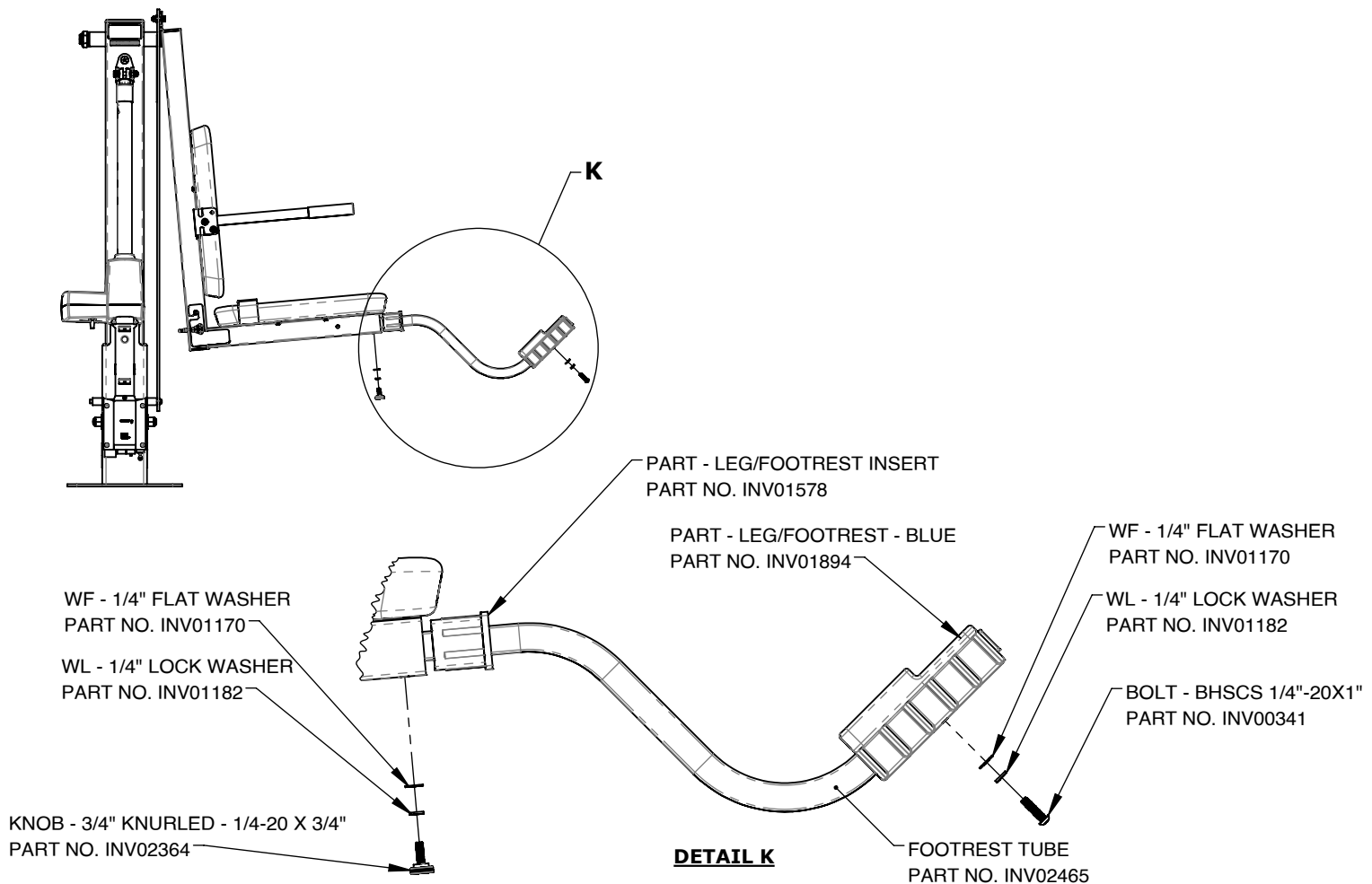


***USE ASSEMBLY LUBE ON ALL BOLTS**

PRODUCT ASSEMBLY

STEP 11) INSTALL FOOTREST AS SHOWN IN DETAIL K.

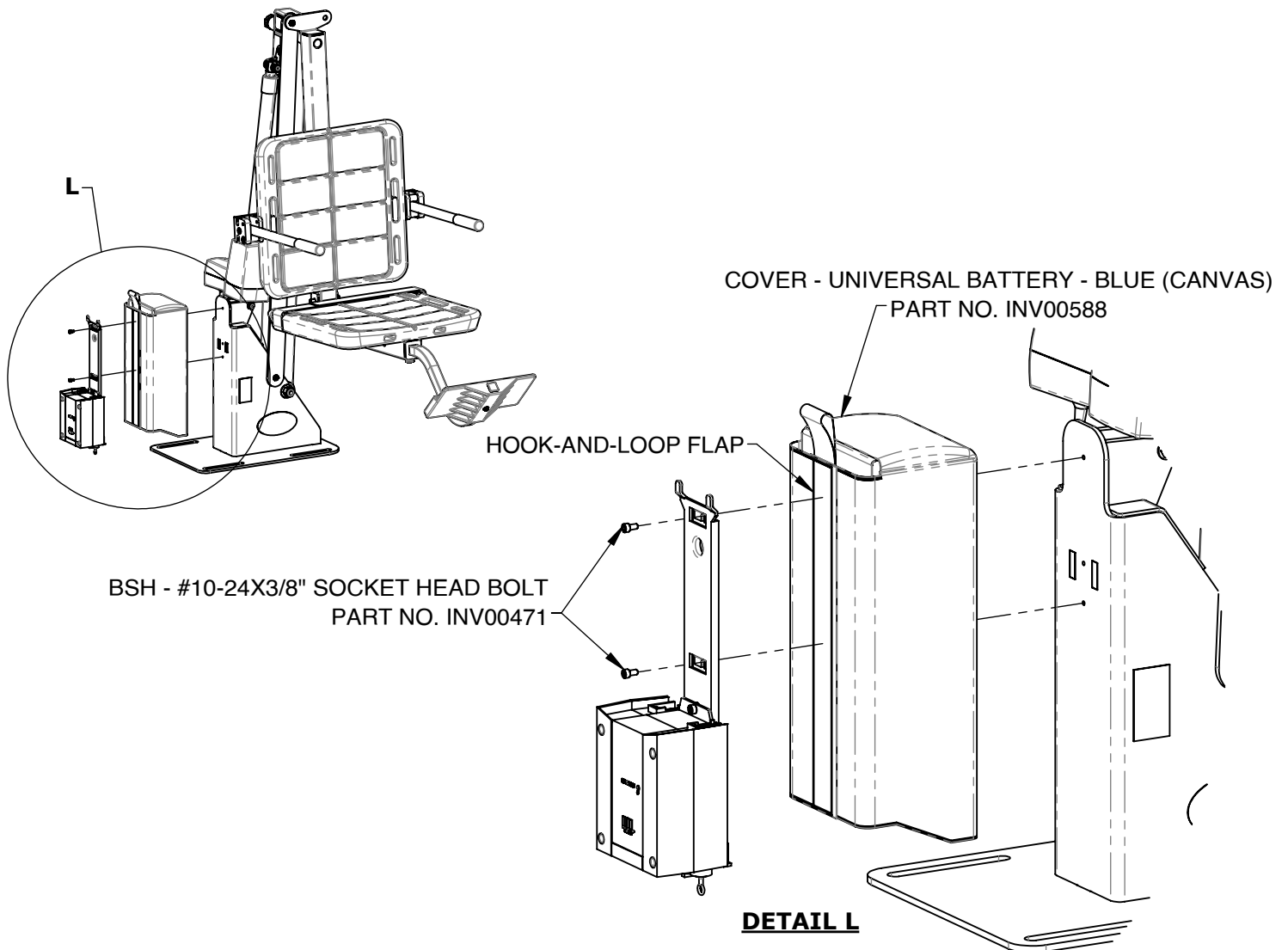
1. ATTACH FOOTREST TO FOOTREST TUBE USING THE BOLT, LOCK WASHER AND FLAT WASHER SHOWN.
2. INSERT FOOTREST TUBE INTO BOTTOM OF SEAT AS SHOWN, ENSURING THE HOLE IN THE FOOTREST INSERT IS FACING DOWN.
3. TIGHTEN KNOB THROUGH BOTTOM OF SEAT AND FOOTREST TUBE.
4. ATTACH FOOTREST TO TUBE USING FLAT WASHER, LOCK WASHER AND BOLT SHOWN.
5. TO ADJUST, BACK OUT KNOB SCREW AND PULL OUT THE FOOTREST TO DESIRED SETTING AND SCREW BACK IN THE KNOB.



***USE ASSEMBLY LUBE ON ALL BOLTS**

PRODUCT ASSEMBLY

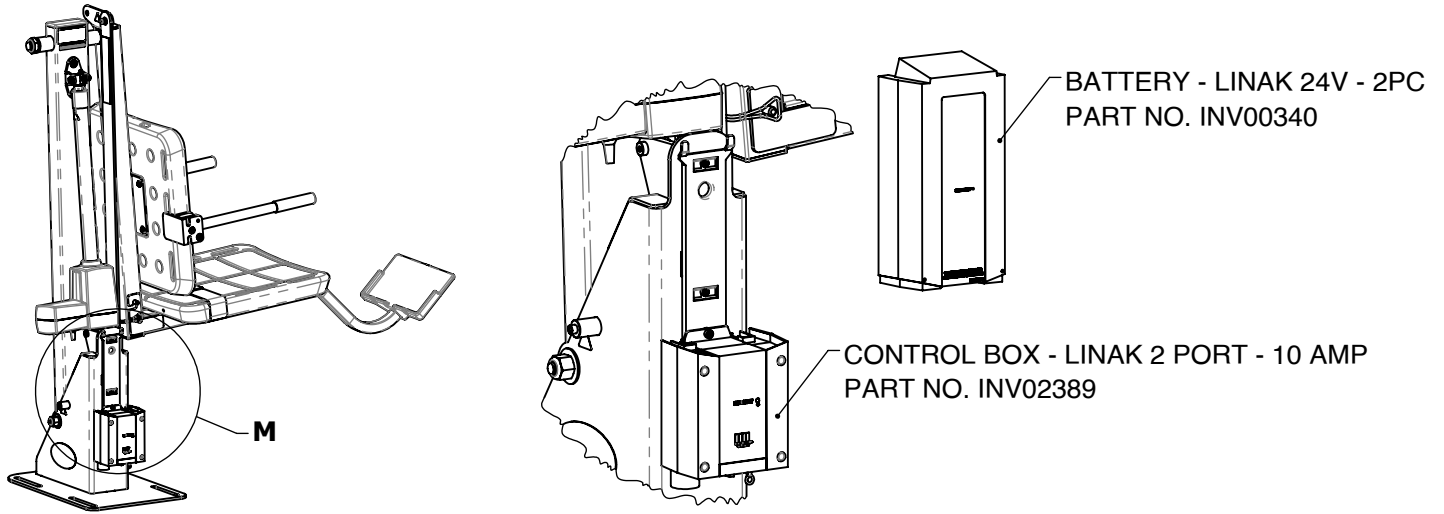
STEP 12) UNDO BATTERY COVER HOOK-AND-LOOP FLAP AND PLACE OVER CONTROL BOX. USE TWO 10-24 X 3/8" SOCKET HEAD SCREWS TO ATTACH THE MOUNTING BRACKET TO THE LIFT THROUGH THE HOLES IN THE BACK OF THE COVER (SEE DETAIL L).



*USE ASSEMBLY LUBE ON ALL BOLTS

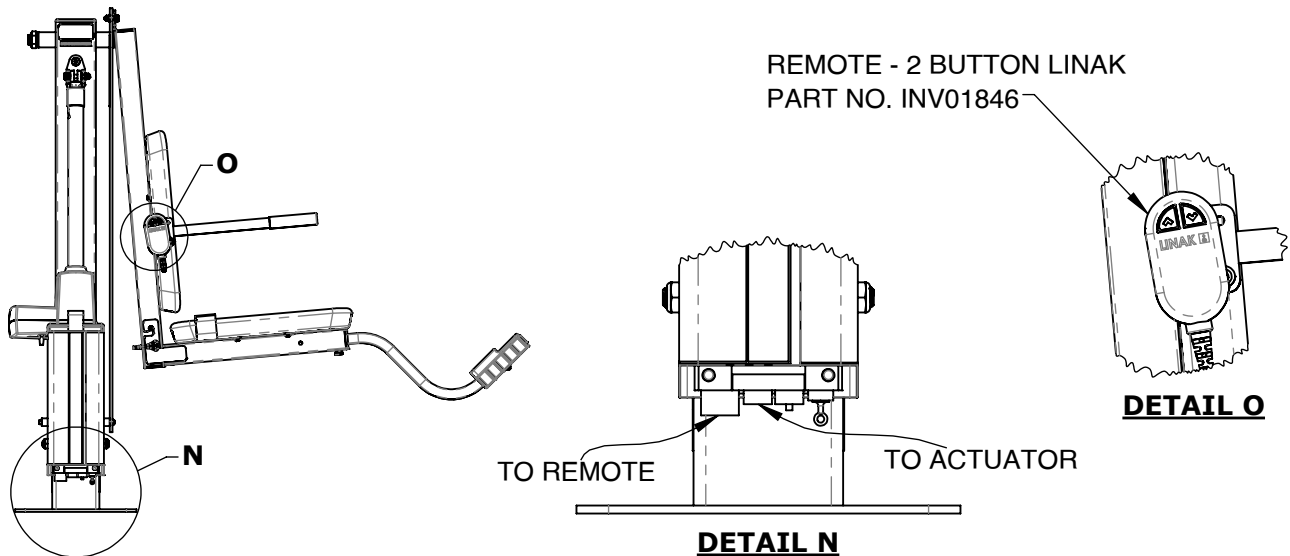
PRODUCT ASSEMBLY

STEP 13) OPEN BATTERY COVER FLAPS AND ATTACH BATTERY AS SHOWN IN DETAIL M (BATTERY COVER NOT SHOWN)



DETAIL M
(BATTERY COVER NOT SHOWN)

STEP 14) PLUG IN THE ACTUATOR AND REMOTE TO THE CORRESPONDING PORTS ON THE CONTROL BOX. THE PLUG FIT IS TIGHT, SO TO ENSURE THE PLUGS ARE FULLY INSERTED IT IS RECOMMENDED TO ADD LUBE TO THE O RINGS ON THE SIDES OF THE PLUG FOR EASIER INSERTION.

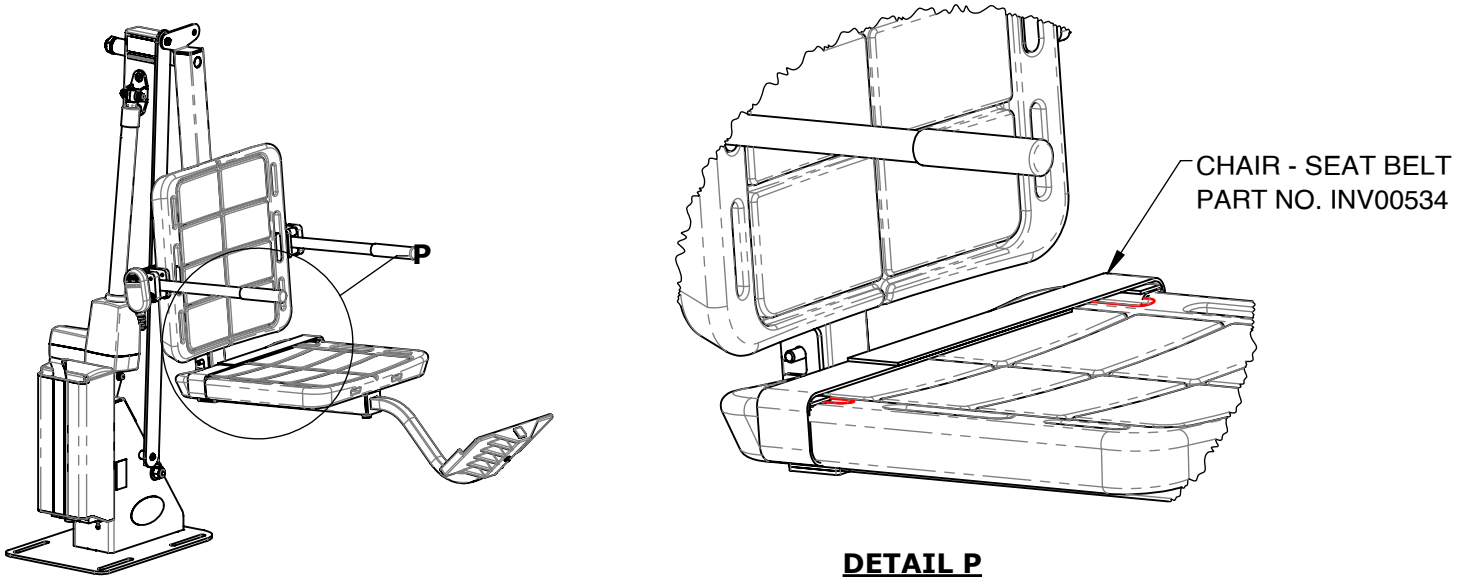


DETAIL N

*USE ASSEMBLY LUBE ON ALL BOLTS

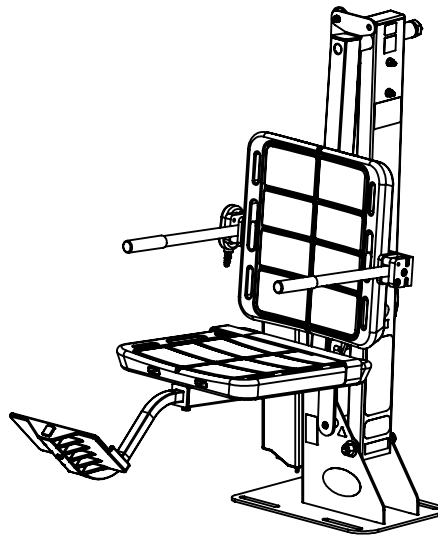
PRODUCT ASSEMBLY

STEP 15) LOOP EACH SEATBELT STRAP THROUGH THE SLOT INDICATED BELOW AND USE HOOK & LOOP PATCHES TO SECURE THE LOOP(SEE DETAIL P).



PRODUCT ASSEMBLY COMPLETE!

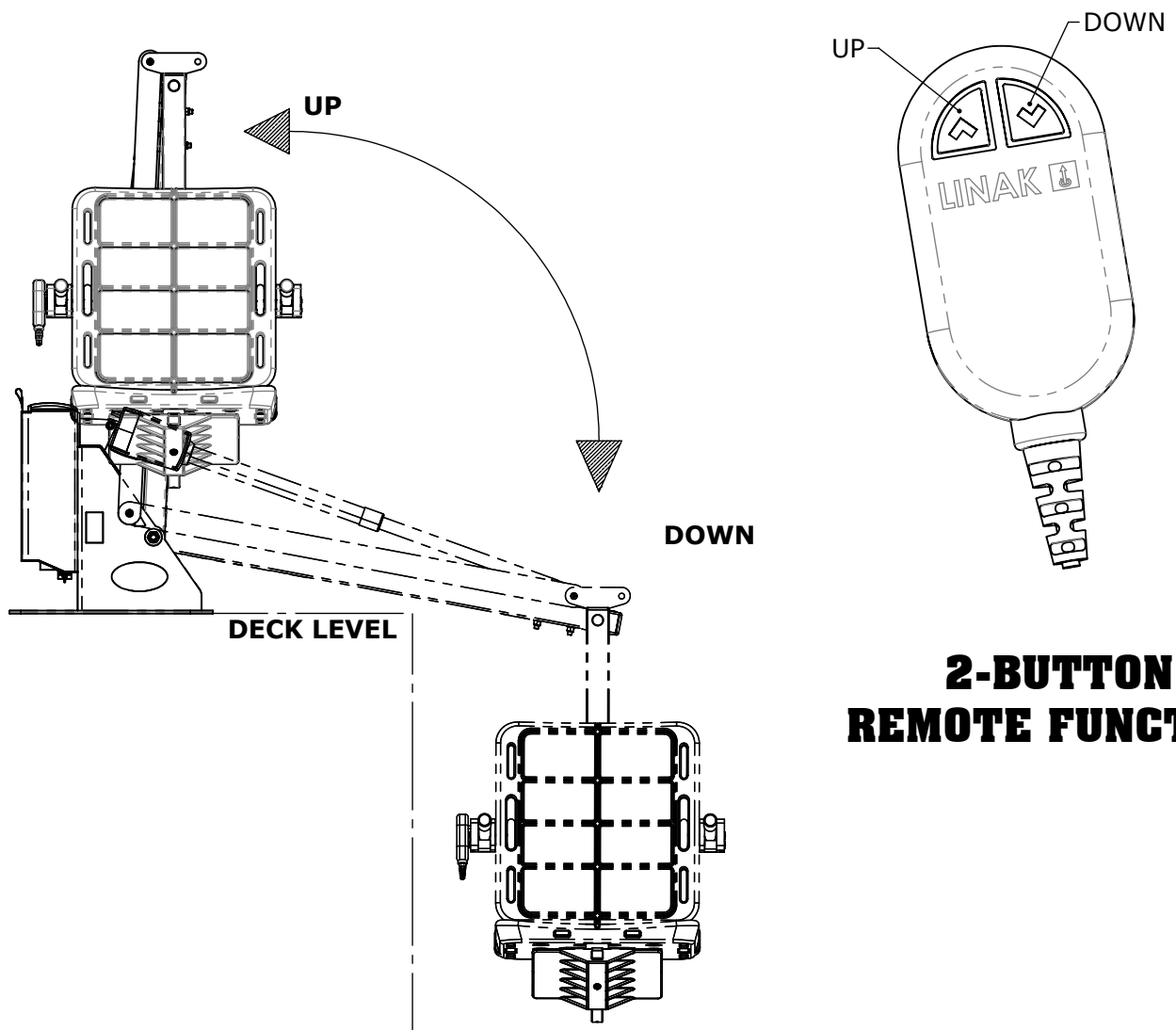
USE A CLEAN, DAMP CLOTH TO WIPE AWAY ANY REMAINING ASSEMBLY GREASE.



***USE ASSEMBLY LUBE ON ALL BOLTS**

22

OPERATION INSTRUCTIONS



2-BUTTON REMOTE FUNCTION



LIFT INSPECTION INFORMATION

Test Date:	
Pool Lift Model:	
Serial Number:	
Inspected By:	

Inspection Notes:

Please read and fill out all information carefully

Improper use and/or maintenance of pool lift can lead to actuator and/or other mechanical failures and possible personal injury. Please read and follow the product operators' manual and the instructions below.

NOTE: Completely cycle the lift without a load before each use to verify the lift is functioning properly.

- Product service life depends on the load characteristics, type and frequency of use, and the environment in which the product is being used. For example, persons not calmly sitting but falling down with their full body weight in the chair, or using the pool lift's chair as a diving platform can casue premature actuator failure and/or possible personal injury.
- Based on historical product service life analysis, Aqua Creek recommends replacing the actuator(s) and other electronic components after 5 years of service. Check component serial numbers and purchase records to verify the age of your components.
- A functional weight lifting force of a maximum of 100lbs. Must be periodically verified by applying a non-live load (without a person) through the entire operating cycle of the lift. This process is performed in order to verify the smooth operation. Make note of any unusual noises or sudden movements coming from the actuator(s) or other components. Note: In some lifts, a sudden quick movement at the beginning of the cycle is normal but should smooth out over the course of operation.
- Creating a side load on the actuator by pushing and/or pulling on the actuator, especially under load conditions, can casue damage to the actuator and or personal injury.
- Electronic components are designed to be plug-and-play type replacements. There is no need to access the internal mechanisms in these components. The actuator, battery, and all electronic components may only be disassembled by authorized factory-trained personnel. Disassembly of electronic components by improperly trained and unauthorized persons will void the warranty on those components.
- The operator of the pool lift should never allow the pool lift to hit any stationary object either vertically or horizontally while operating a pool lift, i.e. walls, ceiling, pool/spa bench, etc.
- For quick and accurate troubleshooting and inspections, we recommend having a voltmeter on hand as well as adequate test and replacement components for the unit.
- Remove the pool lift from service immediately if any unusual noise is heard coming from the actuator such as grinding, popping or sudden inconsistent movements.
- Immediately remove from service any lift that does not have 100% compliance with the inspection until the appropriate corrections have been made by a qualified person.

OVERALL VISUAL INSPECTION

Corrosion is common with anything in a swimming pool environment; even stainless steel. Proper and regular maintenance and cleaning will prevent most instances of corrosion. Replace any components that have corrosion caused pitting, cracking, thinning of the base metal, or other instances of corrosion that can't be eliminated and/or minimized through thorough cleaning. refer to product manual for additional maintenance instructions. Make comments and/or recommendations in the notes area below each section.

INSPECTION ITEM	PASS	FAIL	N/A
1. Anchor bolts, concrete around anchors, etc... are in good condition. No cracks in concrete, missing hardware, and anchors are installed correctly.			
2. The fixing anchor is installed correctly and is in good condition.			
3. Powder coated components are clean, corrosion free, and in good overall condition. Clean and repair any missing powder coat finish. Apply a coat of wax on the cleaned and repaired finish.			
4. Welded joints show no signs of cracks or fatigue. Replace any non-compliant components.			
5. Hardware is present, secure, and not corroded (bolts, nuts, bushings, etc...).			
6. All wiring routing clips are present and in good condition.			
7. All product warning labels are present and legible.			
8. Plastic seat, foot rest, and other plastic components are present and in good shape.			
9. Armrest hand grips are present, in good condition, and are well secured to the arms.			
10. Electronic and lift covers are present and in good condition (Lift covers are highly recommended for outdoor installations).			
11. Inspect rotation gears for any damage or missing teeth. Inspect rotation motor gear and alignment to ensure proper rotation of the lift.			
12. Inspect lift slings, seat belts, and other similar stitched and webbed or weaved materials for damage, fatigue, and/or deterioration. Replace at first sign of any fatigue or damage.			



ANNUAL PHYSICAL POOL LIFT TEST

A physical test of the lift's function is required when doing an annual inspection. The lift should always run through a completed cycle without a load prior to each use. Make comments and/or recommendations in the notes area below.

INSPECTION ITEM	PASS	FAIL	N/A
1. With all connections secured, operate the lift through a complete cycle with and without weight to confirm the lift is functioning properly. Note any strange noises or unusual behavior.			
2. Verify the lift was installed correctly. Is the lift free to travel in and out of the pool without hitting anything such as walls, rails, benches, etc.?			
3. Rotate lift at least 90 degrees over the water and back again if applicable.			

NOTES:

ANNUAL ELECTRONICS INSPECTION

Most electronic issues are due to poor electrical connections and/or a defective battery. Always remove the battery and place on the charger when the lift is not in use. NOTE: Even if your lift is equipped with a solar charger, it is a good idea to place the battery on the wall charger periodically or during extended periods of non-use or storage. Before testing the battery, charge overnight. A voltage meter is required for this section and a known GOOD handset controller is helpful. An Aqua Creek electronics test light is also highly recommended (order item F-01TL). Make comments and/or recommendations in the notes area below each section.

INSPECTION ITEM	PASS	FAIL	N/A
1. Battery contact points are free of damage and/or corrosion. Dielectric grease is present on all contact points to prevent corrosion. ALWAYS STORE BATTERY ON THE CHARGER WHEN LIFT IS NOT IN USE!			
2. Battery level indicator (if equipped) on control box is functioning properly when battery is installed on lift.			
3. Using a voltmeter, check the voltage on the battery. A good battery will read between 24v and 28v DC. Note: Vito batteries will require a test cord. (F-VTC002)			
4. Using the test light, confirm continuity through the control box by plugging the light into the control box in place of the actuator and press the buttons on the controller and the control box itself (if applicable). If the light does not light up with the handset, replace handset with a known good one and try to see if it lights up.			
5. Once the battery is fully charged up to 24 to 28 volts, cycle the lift (up, down, rotate) counting the cycles. If the battery is in good condition, the lift should easily complete at least 15 cycles without a load.			

MAINTENANCE INSTRUCTIONS

PROCEDURE	BEFORE EACH USE	DAILY	WEEKLY	MONTHLY
Check battery level indicator on control box.	✔			
Run the lift through a complete test cycle (fully extend actuator) to verify it is functioning properly.	✔			
Wash lift with fresh water and dry with clean, soft, non-abrasive cloth.		✔		
Recharge battery.		✔		
Visually inspect lift for damage, corrosion, and loose or missing hardware.		✔		
Check all contact points for damage and/or corrosion.			✔	
Clean all contact points, and apply dielectric grease as needed.			✔	
Thoroughly clean lift frame and apply a liberal coat of car wax to maintain the lift's finish.				✔
Check all Warning and Cautionary labels to make sure they are not faded or worn. Replace as needed.				✔

PROPER CARE NOTES:

- Use only fresh water to wash your lift. Do not wash with pool water.
- Use only clean, soft, non-abrasive cloths on your lift.
- Do not store lift or electronics in pump room or near chemicals.
- Do not allow children to play on or around this lift.
- When cleaning the lift, do not spray water directly on control box or battery.
- The lift may need to be bonded according to local code requirements.
- If the lift is not used for extended periods, remove the battery from the lift and store it on the wall charger to maintain the batteries charge. The charger should be plugged in and in a climate controlled area.

STAIN REMOVAL NOTES:

To remove stubborn stains from finish, spray affected area with mild dish soap, rub briskly with a 3M Scotch Brite™ pad. Use white epoxy paint to touch up the finish. Apply wax to protect when dry.



LIMITED FIVE (5) YEAR WARRANTY

Aqua Creek Products, LLC (a.k.a. Aqua Creek) warrants to the original end user purchaser that products manufactured by Aqua Creek, when properly installed in accordance with assembly and installation instructions, and properly used and maintained, shall be free from defects in material and workmanship for a period of *five (5) years from the date of original purchase*, provided that Aqua Creek receives prompt notice in writing of any defect or failure and satisfactory proof thereof, with the following exception(s):

Exceptions:

All provided electrical components, including the linear actuator shall have the following warranty period:

Year 1-2: 100% Coverage

Year 3: 60% Coverage (Customer is responsible for 40% of replacement cost)

Year 4: 50% Coverage (Customer is responsible for 50% of replacement cost)

Year 5: 40% Coverage (Customer is responsible for 60% of replacement cost)

Hydraulic actuators and mesh slings shall have a warranty period of *one (1) year from the date of original purchase*.

Powder coat finish scratches, scrapes, corrosion, or dents from customers' normal use, negligence, or abuse are not covered.

This warranty specifically excludes reimbursement for labor to remove, repair, or install the product and any shipping charges. These warranties do not cover any damages due to accident, force majeure, act of nature, misuse, abuse, negligence or failure to properly maintain any products, or normal wear and tear from day to day operations. In the event that any products are altered, repaired, or improperly installed or improperly used by anyone without the prior written approval by Aqua Creek, all warranties are void. **IMPORTANT: AMOUNT OF WEIGHT PLACED ON LIFT SHALL NOT EXCEED THE RATED LIFTING CAPACITY FOR THE LIFT. NEVER OPERATE THE LIFT UNDER LOAD IN A DRY POOL (WITH NO WATER IN THE POOL).** It is the responsibility of the lift owner to verify the weight of the patron for warranty claim purposes and to ensure that the lift is not overloaded. Non-payment for product to Aqua Creek may void warranty.

To initiate a warranty claim, the owner of an Aqua Creek product must provide the place of purchase, in writing, with a full description of the product, its serial number, the dates of purchase and installation, and the exact nature of the defect. Within thirty (30) days after receipt of a written warranty claim by Aqua Creek, and barring any unforeseen delays, the place of purchase will be notified of Aqua Creek's decision regarding the claim.

If requested by Aqua Creek, any defective product must be returned, freight prepaid by customer, to Aqua Creek's designated factory location or duly appointed distributor for inspection and/or repair. Aqua Creek will, at its option, repair or replace the failed or defective item, and deliver the repaired product or replacement to the customer. All freight charges are the responsibility of the customer. Products returned to Aqua Creek for which Aqua Creek provides replacement under this limited warranty shall become the property of Aqua Creek. A new warranty period shall NOT be established for the repaired or replaced products. Such products shall remain under warranty only for the remainder of the original warranty period on the original products purchased.

This written limited warranty constitutes the final, complete and exclusive statement of warranty terms. No person or organization is authorized to make any other specific or implied warranties or representations on behalf of Aqua Creek.

THE WARRANTIES SET FORTH HEREIN ARE IN LIEU OF ALL OTHER WARRANTIES, EXPRESSED OR IMPLIED, WHICH ARE HEREBY DISCLAIMED AND EXCLUDED, INCLUDING WITHOUT LIMITATION ANY WARRANTY OF MERCHANTABILITY OR FITNESS FOR A PARTICULAR PURPOSE OR USE.

THE SOLE AND EXCLUSIVE REMEDIES FOR BREACH OF ANY AND ALL WARRANTIES WITH RESPECT TO THE PRODUCTS SHALL BE LIMITED TO REPAIR OR REPLACEMENT AT AQUA CREEK'S DESIGNATED FACTORY LOCATION, OR DULY APPOINTED DISTRIBUTOR, OR IN PLACE AT AQUA CREEK'S OPTION. IN NO EVENT SHALL AQUA CREEK'S LIABILITY EXCEED THE ENTIRE AMOUNT PAID TO AQUA CREEK BY THE ORIGINAL PURCHASER FOR THE FAILED OR DEFECTIVE PRODUCT. IN NO EVENT SHALL AQUA CREEK PRODUCTS, LLC BE LIABLE FOR ANY INCIDENTAL, CONSEQUENTIAL, SPECIAL, INDIRECT, PUNITIVE OR EXEMPLARY DAMAGES OR LOST PROFITS FROM ANY BREACH OF THIS LIMITED WARRANTY OR OTHERWISE.

THIS WARRANTY GIVES YOU SPECIFIC LEGAL RIGHTS AND YOU MAY ALSO HAVE OTHER RIGHTS, WHICH MAY VARY FROM STATE TO STATE. SOME STATES DO NOT ALLOW THE EXCLUSION OR LIMITATION OF INCIDENTAL, SPECIAL OR CONSEQUENTIAL DAMAGES, SO SOME OF THE ABOVE LIMITATIONS OR EXCLUSIONS MAY NOT APPLY TO YOU.

BASIC TROUBLESHOOTING

1. Make note of the complaint, such as lift is not operating at all, lift won't return to deck, etc...
2. Make note of any noises the lift may be making, such as grinding, clicking, buzzing, beeping. Try to identify where the noises are coming from, i.e. the actuator, battery control box, etc...
3. If a 'beeping' noise is coming from the battery, chances are the battery is dead or not charged enough to operate the lift. It is designed to have an audible alarm when it reaches below a certain charge level. Check the battery voltage (Should read >24 volts DC) and either charge the battery or replace it with a new one.
 - A. Lay the battery on a flat, dry surface.
 - B. Make sure your voltmeter is on and set to DC mode.
 - C. Put one probe on the left metal prong and one of the right metal prong.
 - D. The voltmeter should read 24 Volts or higher for a good battery. If it reads negative it just means the probes are on backwards.
 - E. Sometimes it will test good on voltage but the amperage is insufficient.
 - F. The battery can be taken to a battery store to have an 8 amp load test done to check for proper amperage.
4. If the battery just came off the charger and is fully charged, check to make sure the charger is plugged in and charging properly. This can be done with the voltmeter.
 - A. Verify the charger is plugged into a working wall outlet.
 - B. Place one probe from your voltmeter on the left metal prong on the charger and the other probe on the right metal prong of the charger. Voltage should be reading at least 27 volts DC. If it reads negative it just means the prongs were placed backwards.
5. Verify the cords are properly seated in the control box ports and are not damaged or corroded. We suggest unplugging and then plug back in to ensure they are seated properly. Clean any corrosion off of the battery tabs and cord plugs if there is any.
 - A. Remove any protective black or gray pieces and pull up gently on the metal tabs.

ONCE THESE STEPS ARE COMPLETE CALL AQUA CREEK PRODUCTS AND TALK TO TECHNICAL SUPPORT FOR FURTHER ASSISTANCE OR GO ONLINE AND WATCH OUR TROUBLESHOOTING VIDEOS:

(888)687-3552

[HTTPS://AQUACREEKPRODUCTS.COM/HELP-CENTER/TROUBLESHOOTING/](https://aquacreekproducts.com/help-center/troubleshooting/)

