



INSTALLATION & OPERATION MANUAL

MODEL: SCOUT EXCEL - FLAT PACK
CATALOG #: F-SCTXL-KD

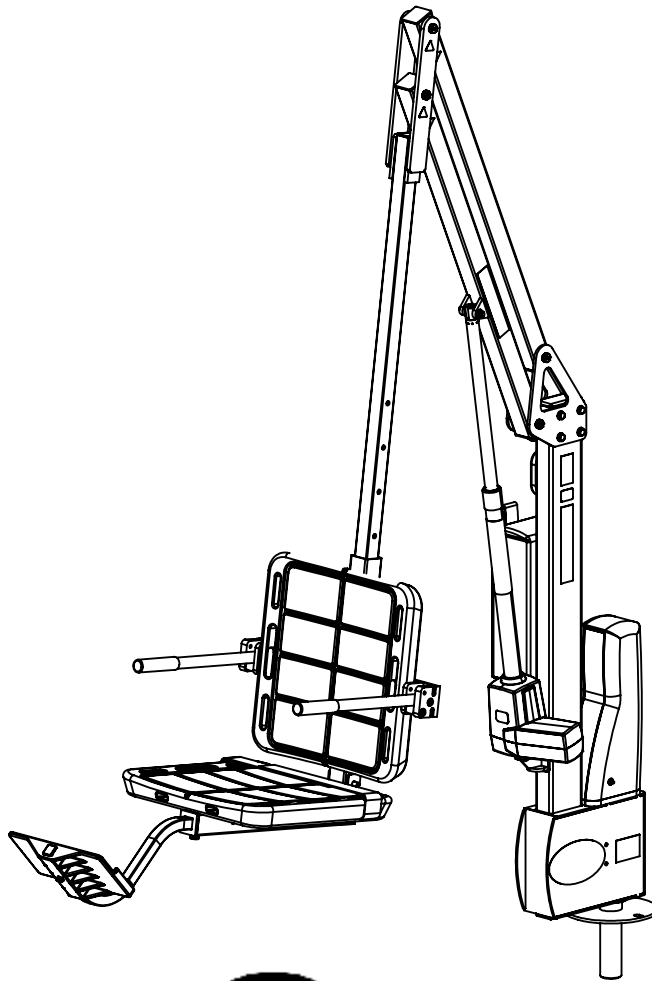




TABLE OF CONTENTS

| | |
|--|----|
| SAFETY INFORMATION..... | 3 |
| ADA REQUIREMENTS FOR POOL LIFTS (US ONLY)..... | 4 |
| PRODUCT OVERVIEW | 5 |
| COMPATABLE ANCHORING OPTIONS | 5 |
| UNPACKING & INSPECTION..... | 5 |
| PRODUCT COMPONENTS..... | 6 |
| PRODUCT ASSEMBLY..... | 14 |
| OPERATION INSTRUCTIONS..... | 23 |
| MAINTENANCE INSTRUCTIONS..... | 24 |
| ANNUAL INSPECTION INSTRUCTIONS..... | 25 |
| WARRANTY INFORMATION..... | 29 |
| BASIC TROUBLESHOOTING..... | 30 |



IMPORTANT SAFETY INFORMATION



When installing this product, basic safety precautions should always be followed, including the following:

READ ALL INSTRUCTIONS BEFORE USING

WARNING - To reduce the risk of injury, do not permit children to use this product unless they are closely supervised at all times.

This appliance is not intended for use by persons (including children) with reduced physical, sensory or mental capabilities, or lack of experience and knowledge, unless they have been given supervision or instruction concerning the use of the appliance by a person responsible for their safety.

A wire connector is provided on this appliance to connect a minimum 8AWG (8.4mm²) solid copper conductor between this unit and the means of equipotential bonding.

Check appliance periodically for signs of deterioration: Keep all nuts, bolts and screws tight to be sure the lift is in safe working condition.

SAVE THESE INSTRUCTIONS

Affix the supplied "ADA POOL/SPA LIFT" sign in a location visible from the appliance at all times.

Rechargeable batteries are to be removed from the appliance before being charged. Batteries are to be installed with the correct polarity. If the appliance is to be stored unused for a long period of time, the batteries should be removed and stored on the wall mounted charger to maintain the battery charge. The supply terminals are NOT to be short-circuited.

REDUCE THE RISK OF DROWNING

- Never swim alone.
- Never use the appliance to enter an empty pool.
- Never apply direct water pressure to the electronics.
- Never permit children to play on or around this appliance.
- Supervise children at all times.

DO NOT jump or dive from this appliance.

Seat may be hot, use caution when entering.

Keep appliance covered when not in use. Inspect and clean before use.

READ CAREFULLY

Check the entire box and all packing materials for parts. Before beginning assembly, read the instructions and identify parts using the figures and parts listed in this document. It is critical that all parts be carefully inspected prior to installation. If any damage occurred in transit, Aqua Creek Products LLC must be notified within three (3) days of receipt. Proper installation cannot be over-stressed, as an improper installation will void Aqua Creek's warranty and may affect the safety of the user.

ADA REQUIREMENTS FOR POOL LIFTS* (US ONLY)

1009.2.1 Pool Lift Location

Pool lift shall be located where the water level does not exceed 48". If entire pool water level exceeds 48", place pool lift where convenient.

1009.2.2 Seat Location

In the raised position, the centerline of the seat shall be located over the deck a minimum of 16" from the edge of the pool.

1009.2.3 Clear Deck Space

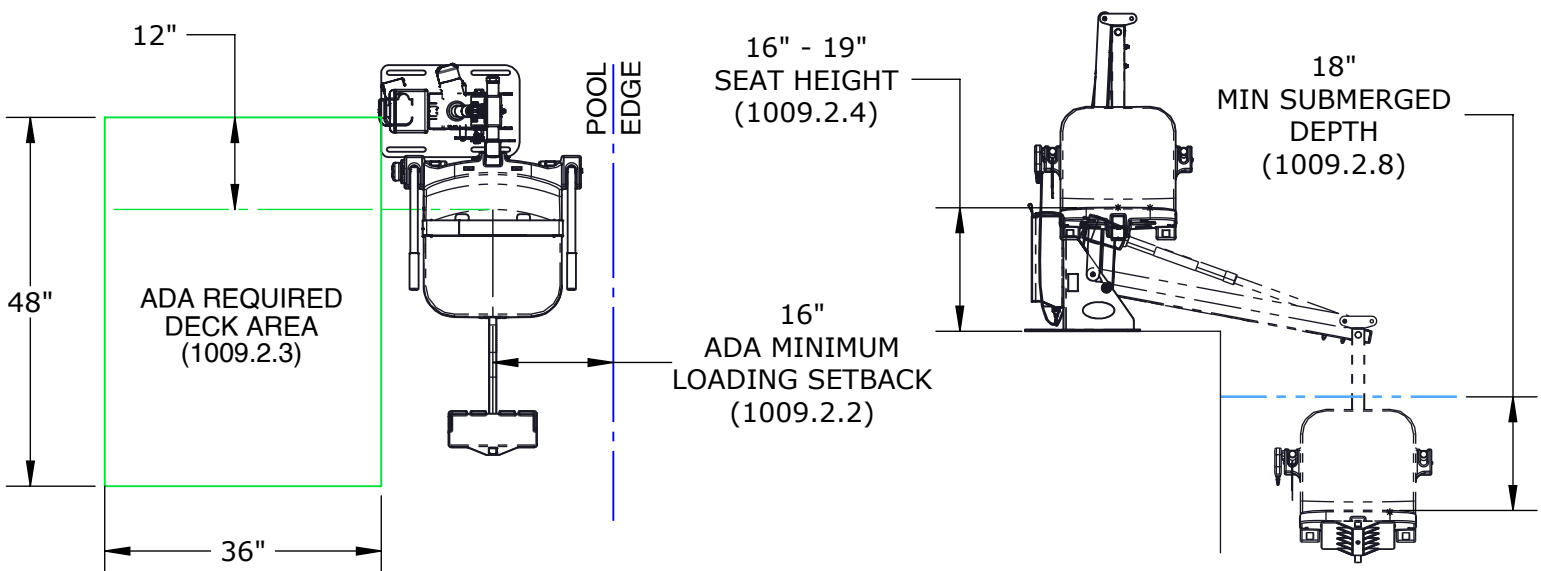
On the side of the seat opposite the water; a clear deck space shall be provided parallel with the seat. The space shall be 36" wide minimum and shall extend forward 48" minimum from a line located 12" behind the rear edge of the seat.

1009.2.4 Seat Height

The lift shall stop at 16" - 19" measured from the deck to the top of the seat surface when in the loading position.

1009.2.8 Submerged Depth

The lift shall submerge the seat a minimum of 18" below the stationary water level



*Compliance with ADA is the responsibility of the pool owner. Visit www.ada.gov for complete guidelines. 4

PRODUCT OVERVIEW

The Scout Excel pool lift is ideal for in-ground and partially raised pools or spas. The rotational base gives you a wide setback range from 7"-44" to install the lift further back from the edge of your pool in order to accommodate wider perimeter gutters and/or spa benches.

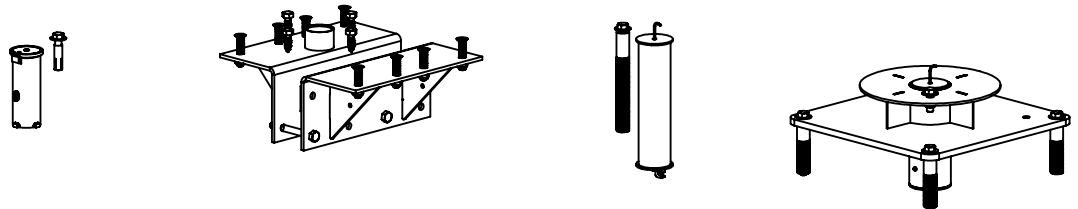
When combined with the adjustable seat height and a full 360° rotation in either direction, the Scout Excel allows you to clear short curbs or walls up to 27" high or water drafts as low as 10". Stainless steel framing with a durable powder coat provides a clean, sleek look to the Scout Excel.

The break down capabilities of the seat option on the flat pack version of this best seller allows for even easier storage and transport of the Scout Excel.

COMPATIBLE ANCHORING OPTIONS

The Scout Excel will work with the following anchors. Anchor must be installed before the lift installation can begin. All anchors are sold separately. Contact your dealer or visit our website at www.aquacreek.com for additional anchor options.

| STANDARD ANCHOR OPTIONS | | | | |
|-------------------------|-------------------------|--------------------------|-------------|-------------|
| DESCRIPTION | SCOUT EXCEL - FLAT PACK | SCOUT EXCEL - KNOCK DOWN | SCOUT EXCEL | SCOUT EXCEL |
| CATALOG NO. | F-808SA | F-842WDA | F-808SA-10 | F-77SSA |
| PART NO. | INV01494 | INV03443 | INV02394 | INV02394 |



UNPACKING YOUR LIFT

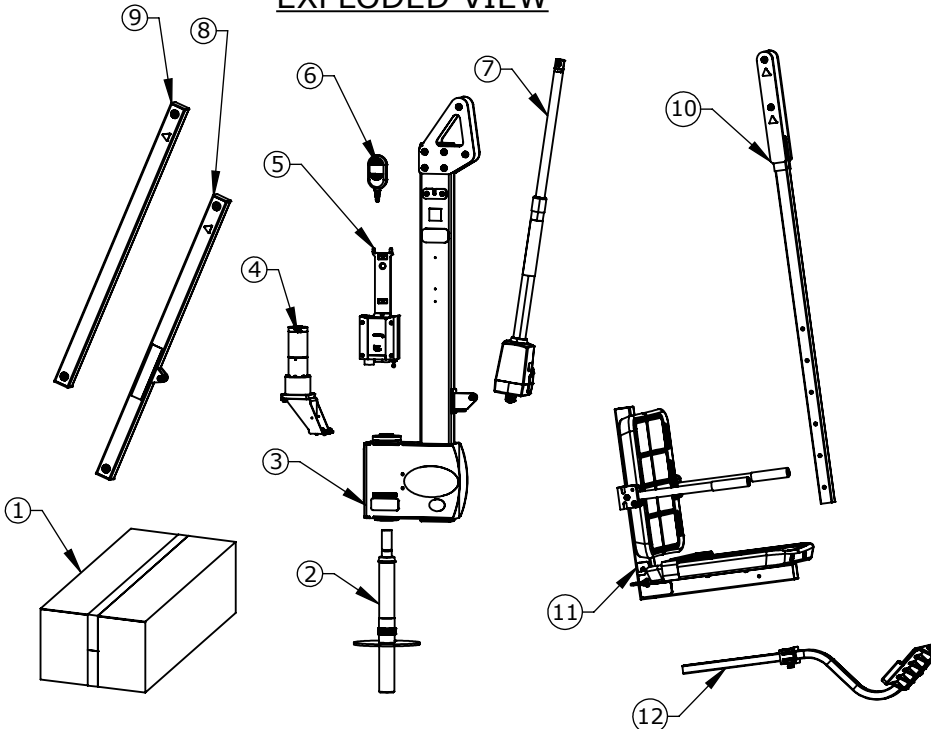
As you unpack your new lift, please inspect all parts for damage from shipping and handling as parts may have shifted in transit. Please refer to the following checklist to ensure all parts are accounted for before you begin your assembly.

PRODUCT COMPONENTS

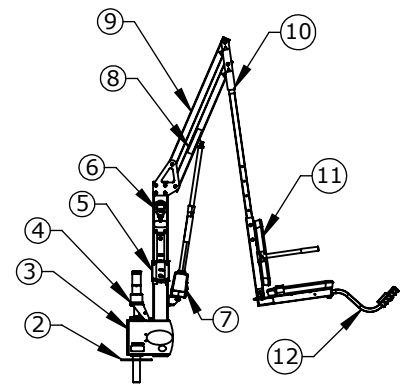
| ASSEMBLY - BREAK DOWN CRADLE (VERTICAL) - INV03422 | | | | | |
|--|----------|------|------|---|---------|
| ITEM | PART NO. | QTY. | REV. | DESCRIPTION | REORDER |
| 1 | INV03466 | 1 | 2 | LINAK - STOCK BOX - KD - SCTXL | |
| 2 | INV03491 | 1 | 1 | ASSEMBLY - ANCHOR SPINDLE - 1.90" DIA. SQ DRIVE | |
| 3 | INV02753 | 1 | 3 | ASSEMBLY - REV SERIES MAIN FRAME | |
| 4 | INV02755 | 1 | 2 | ASSEMBLY - MOTOR MOUNT | |
| 5 | INV03561 | 1 | 1 | ASSEMBLY - CONTROL BOX MOUNT - LINAK (ROTATIONAL) | |
| 6 | INV01845 | 1 | - | REMOTE - 4 BUTTON LINAK | |
| 7 | INV03419 | 1 | 2 | ACTUATOR KIT - 400MM - LINAK | |
| 8 | INV01655 | 1 | 1 | ASSEMBLY - LIFTING ARM - 38.00" | |
| 9 | INV02006 | 1 | 1 | ASSEMBLY - CONTROL ARM - 38.00" | |
| 10 | INV02752 | 1 | 1 | ASSEMBLY - SEAT POLE - 57.00" | |
| 11 | INV03449 | 1 | 1 | ASSEMBLY - BREAK DOWN CRADLE (SCTXL) | |
| 12 | INV01903 | 1 | 1 | ACCESSORY - FOOTREST - BLUE | |
| 13 | INV02396 | 1 | 1 | LABEL SHEET - SCOUT EXCEL (375LBS.) | |

*ITEM 13 NOT SHOWN.

EXPLODED VIEW

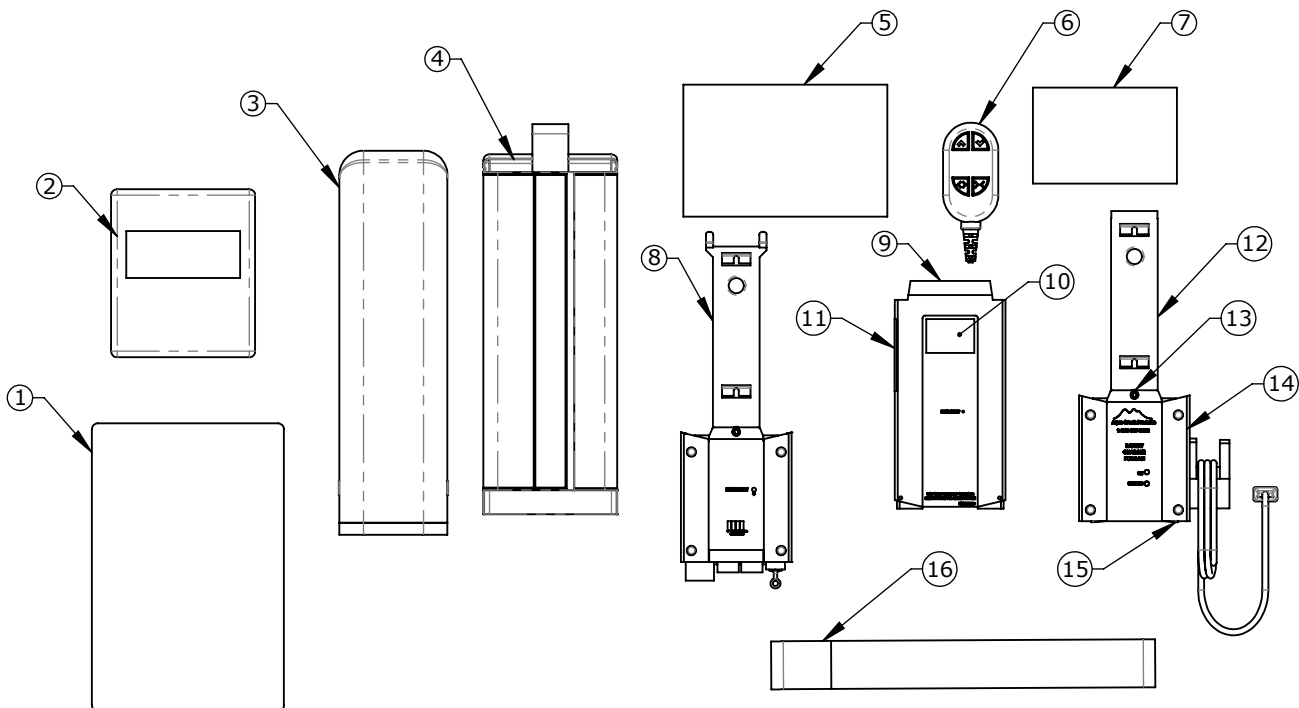


ASSEMBLED VIEW

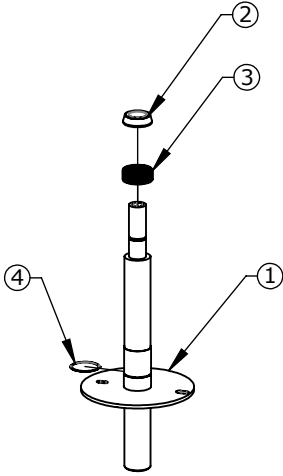


COMPONENT DETAILS

| LINAK - STOCK BOX - KD - SCTXL - PART NO. INV03466 | | | | | |
|--|----------|------|------|---|---------|
| ITEM | PART NO. | QTY. | REV. | DESCRIPTION | REORDER |
| 1 | INV00578 | 1 | 1 | SIGN - "ADA LIFT AVAILABLE" (AQUA CREEK) | |
| 2 | INV03616 | 1 | 2 | HARDWARE PACK - SCTXL - FLAT PACK/KD | |
| 3 | INV01747 | 1 | 1 | COVER - MOTOR - BLUE | |
| 4 | INV00588 | 1 | 1 | COVER - UNIVERSAL BATTERY - BLUE | |
| 5 | INV00665 | 1 | 1 | LABEL #75 - SAFETY CARD | |
| 6 | INV01845 | 1 | - | REMOTE - 4 BUTTON LINAK | |
| 7 | INV00670 | 1 | 1 | LABEL #87 - PROPER CARE | |
| 8 | INV03561 | 1 | 1 | ASSEMBLY - CONTROL BOX MOUNT - LINAK (ROTATIONAL) | |
| 9 | INV00340 | 1 | - | BATTERY - LINAK 24V - 2PC | |
| 10 | INV01804 | 1 | 1 | LABEL #146 - DAILY CHARGE | |
| 11 | INV00646 | 1 | 1 | LABEL #133 - PROP 65 (BATTERY) | |
| 12 | INV03476 | 1 | 1 | BRACKET - LINAK MOUNT (WALL) | |
| 13 | INV01172 | 2 | - | WF - #10 FLAT WASHER | |
| 14 | INV00514 | 1 | - | CHARGER - LINAK - 24V ACP | |
| 15 | INV00104 | 1 | - | COVER - LINAK BOTTOM (JUMBO) | |
| 16 | INV00534 | 2 | - | CHAIR - SEAT BELT | |

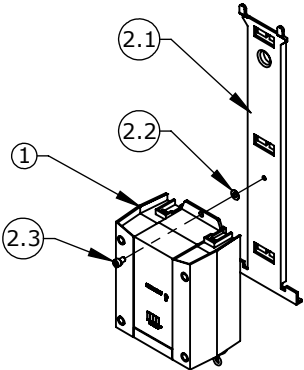
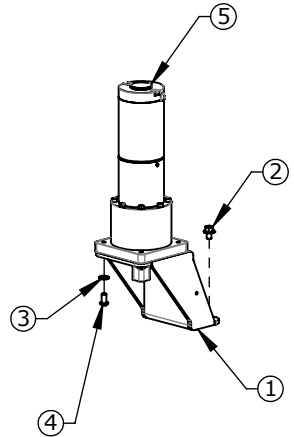


COMPONENT DETAILS



| ASSEMBLY - ANCHOR SPINDLE - 1.90" DIA. SQ DRIVE - PART NO. INV03491 | | | | | |
|---|----------|------|------|---|---------|
| ITEM | PART NO. | QTY. | REV. | DESCRIPTION | REORDER |
| 1 | INV03490 | 1 | 1 | WELDMENT - ANCHOR SPINDLE SQ DRIVE | |
| 2 | INV00378 | 1 | - | ROLLER BEARING - 1.25" I.D. X 2.33" O.D. X 5/8" | |
| 3 | INV00617 | 1 | - | NEEDLE BEARING - K50MMX55MMX20MM | |
| 4 | INV01834 | 1 | 1 | RETAINING RING - EXTERNAL (SPIRAL) | |

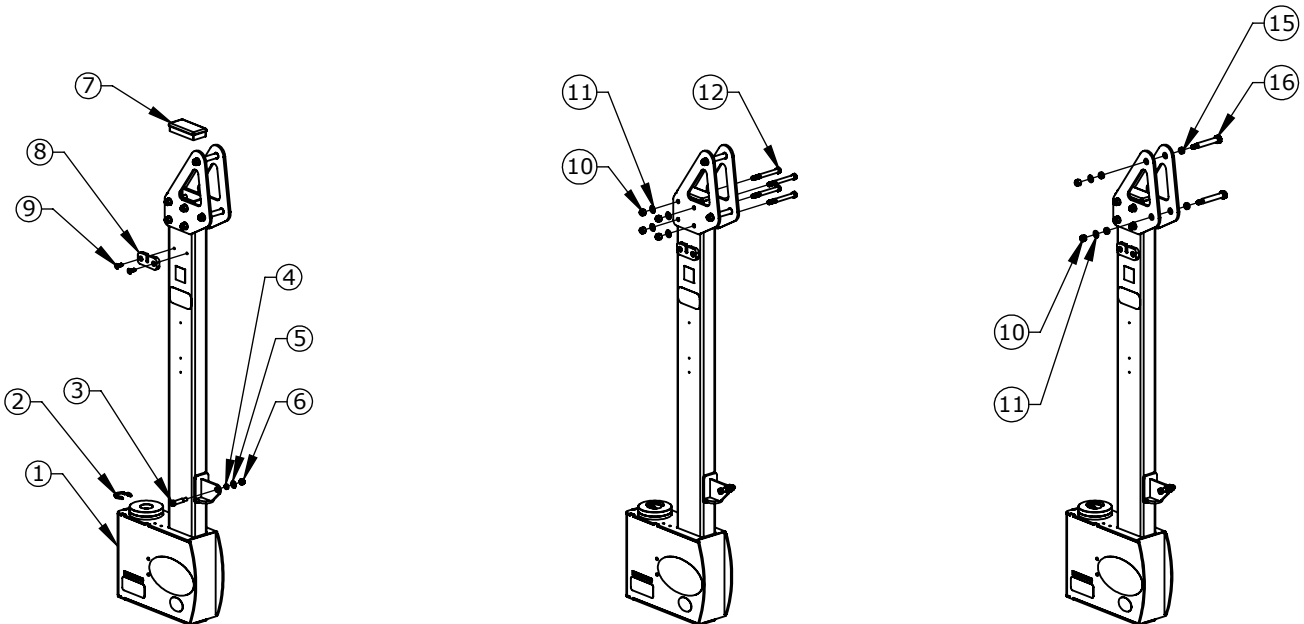
| ASSEMBLY - MOTOR MOUNT - PART NO. INV02755 | | | | | |
|--|----------|------|------|---|---------|
| ITEM | PART NO. | QTY. | REV. | DESCRIPTION | REORDER |
| 1 | INV02083 | 1 | 1 | WELDMENT - MOTOR MOUNT | |
| 2 | INV00428 | 4 | - | BOLT - BHW 1/4"-20X3/8" SERRATED | |
| 3 | INV01182 | 4 | - | WL - 1/4" LOCK WASHER | |
| 4 | INV00345 | 4 | - | BB - 1/4"-20X1/2" BUTTON HEAD BOLT | |
| 5 | INV03462 | 1 | 1 | PART - ROTATIONAL MOTOR - SQUARE DRIVE- 24VDC | |



| ASSEMBLY - CONTROL BOX MOUNT - LINAK (ROTATIONAL) - PART NO. INV03561 | | | | | |
|---|-------------------|------|------|-------------------------------------|---------|
| ITEM | PART NO. | QTY. | REV. | DESCRIPTION | REORDER |
| 1 | INV02389 | 1 | 1 | CONTROL BOX - LINAK 2 PORT - 10 AMP | |
| 2 | INV00715 | 1 | 1 | LINAK - BRACKET KIT | |
| 2.1 | *PART OF INV00715 | 1 | -- | MOUNTING BRACKET | |
| 2.2 | *PART OF INV00715 | 1 | -- | WF - #10 FLAT WASHER | |
| 2.3 | *PART OF INV00715 | 1 | -- | MOUNTING BOLT | |

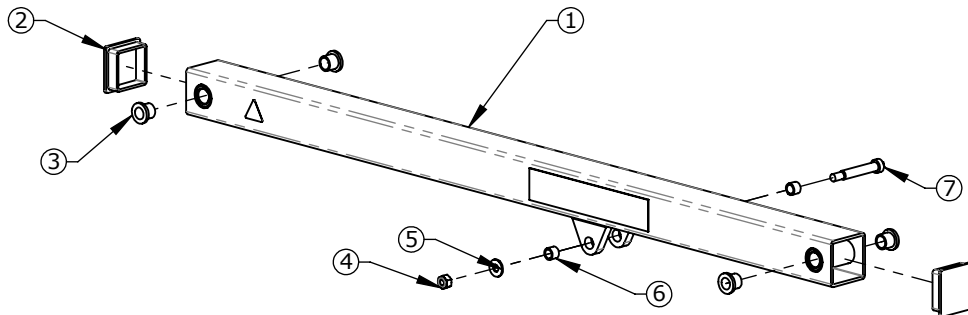
COMPONENT DETAILS

| ASSEMBLY - REV SERIES MAIN FRAME - PART NO. INV02753 | | | | | |
|--|----------|------|------|---|---------|
| ITEM | PART NO. | QTY. | REV. | DESCRIPTION | REORDER |
| 1 | INV02395 | 1 | 3 | WELDMENT - REV SERIES MAIN FRAME | |
| 2 | INV01835 | 1 | 1 | RETAINING RING - 1-1/4" OD EXTERNAL | |
| 3 | INV00461 | 1 | - | BS - 3/8"X1 1/4"X5/16"-18 SHOULDER BOLT | |
| 4 | INV00439 | 1 | - | BRB - 3/8"X1/2"X3/16" - BRONZE BUSHING | |
| 5 | INV01176 | 1 | - | WF - 5/16" FLAT WASHER | |
| 6 | INV00742 | 1 | - | NN - 5/16"-18 NYLOCK NUT | |
| 7 | INV00980 | 2 | - | END CAP - RECT. 2.00"X4.00"X.120" | |
| 8 | INV00783 | 1 | 1 | REMOTE HOLDER | |
| 9 | INV00362 | 2 | - | BC - 1/4"-20X3/4" - FLAT HEAD COUNTERSINK | |
| 10 | INV00739 | 6 | - | NN - 3/8"-16 NYLOCK NUT | |
| 11 | INV01174 | 10 | - | WF - 3/8" FLAT WASHER | |
| 12 | INV00411 | 4 | - | BH - 3/8"-16X3 1/2" HEX HEAD BOLT | |
| 13 | INV00986 | 2 | 1 | LASER/WJ - LIFTING EAR | |
| 14 | INV00987 | 2 | 1 | LASER/WJ - LIFTING EAR SPACER | |
| 15 | INV00450 | 4 | - | BRB - 1/2"X5/8"X1/4" BRONZE BUSHING | |
| 16 | INV00455 | 2 | - | BS - 1/2"X2 3/4"X3/8"-16 SHOULDER BOLT | |

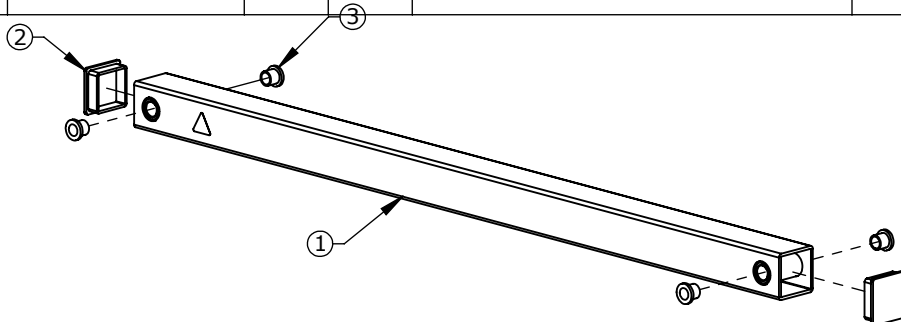


COMPONENT DETAILS

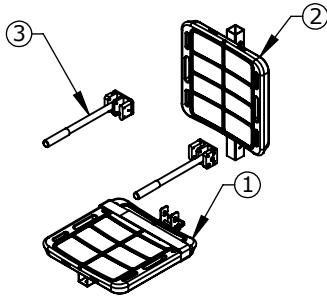
| ASSEMBLY - LIFTING ARM - 38.00" - PART NO. INV01655 | | | | | |
|---|----------|------|------|--|---------|
| ITEM | PART NO. | QTY. | REV. | DESCRIPTION | REORDER |
| 1 | INV02132 | 1 | 1 | WELDMNT - LIFTING ARM - 38.00" | |
| 2 | INV01082 | 2 | - | END CAP - SQR. 2.00"X.120" | |
| 3 | INV00441 | 4 | - | BRB - 1/2"X5/8"X5/8"X1/8" BRONZE BUSHING | |
| 4 | INV00742 | 1 | - | NN - 5/16"-18 NYLOCK NUT | |
| 5 | INV01176 | 1 | - | WF - 5/16" FLAT WASHER | |
| 6 | INV00448 | 2 | - | BRB - 1/2"X3/8"X3/8" BRONZE BUSHING | |
| 7 | INV00464 | 1 | - | BS - 3/8"X2"X5/16"-18 SHOULDER BOLT | |
| 8 | INV00647 | 2 | - | LABEL #134 - PINCH POINT | |



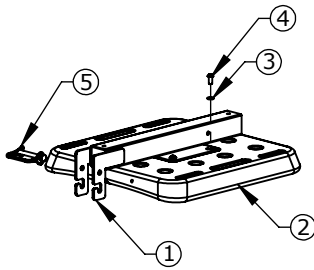
| ASSEMBLY - CONTROL ARM - 38.00" - PART NO. INV02006 | | | | | |
|---|----------|------|------|--|---------|
| ITEM | PART NO. | QTY. | REV. | DESCRIPTION | REORDER |
| 1 | INV02131 | 1 | 1 | WELDMNT - CONTROL ARM - 38.00" | |
| 2 | INV01082 | 2 | - | END CAP - SQR. 2.00"X.120" | |
| 3 | INV00441 | 4 | - | BRB - 1/2"X5/8"X5/8"X1/8" BRONZE BUSHING | |
| 4 | INV00647 | 2 | - | LABEL #134 - PINCH POINT | |



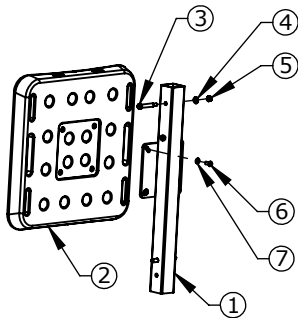
COMPONENT DETAILS



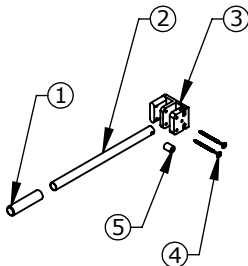
| ASSEMBLY - BREAK DOWN CRADLE (SCTXL) - PART NO. INV03449 | | | | | |
|--|----------|------|------|---|---------|
| ITEM | PART NO. | QTY. | REV. | DESCRIPTION | REORDER |
| 1 | INV03409 | 1 | 1 | ASSEMBLY - KNOCK DOWN SEAT HORIZONTAL | |
| 2 | INV03422 | 1 | 1 | ASSEMBLY - BREAK DOWN CRADLE (VERTICAL) | |
| 3 | INV03468 | 1 | 1 | ASSEMBLY - KNOCK DOWN ARMREST | |



| ASSEMBLY - KNOCK DOWN SEAT HORIZONTAL - PART NO. INV03409 | | | | | |
|---|----------|------|------|---|---------|
| ITEM | PART NO. | QTY. | REV. | DESCRIPTION | REORDER |
| 1 | INV03404 | 1 | P1 | WELDMENT - QUICK ATTACH CRADLE (HORIZONTAL) | |
| 2 | INV03423 | 1 | 1 | 18.00" SEAT HALF W/ INSERTS | |
| 3 | INV01184 | 4 | P1 | WL - 5/16" LOCK WASHER | |
| 4 | INV02494 | 4 | - | BB - 5/16"-18 X 3/4" BUTTON HEAD BOLT | |
| 5 | INV03408 | 1 | P1 | SP - 3/8"X2 7/8" SNAP PIN | |



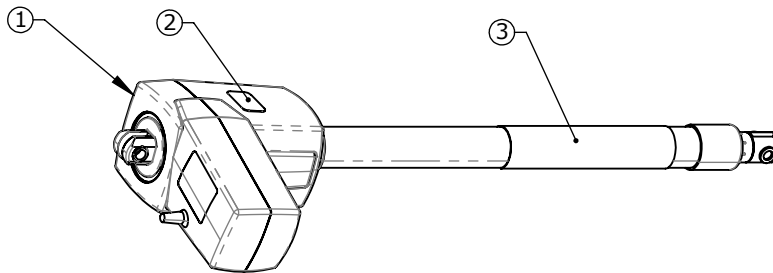
| ASSEMBLY - BREAK DOWN CRADLE (VERTICAL) - INV03422 | | | | | |
|--|----------|------|------|---|---------|
| ITEM | PART NO. | QTY. | REV. | DESCRIPTION | REORDER |
| 1 | INV03421 | 1 | 1 | WELDMENT - BREAK DOWN CRADLE (VERTICAL) | |
| 2 | INV03423 | 1 | 1 | 18.00" SEAT HALF W/ INSERTS | |
| 3 | INV00464 | 2 | - | BS - 3/8"X2"X5/16"-18 SHOULDER BOLT | |
| 4 | INV01176 | 2 | - | WF - 5/16" FLAT WASHER | |
| 5 | INV00742 | 2 | - | NN - 5/16"-18 NYLOCK NUT | |
| 6 | INV02494 | 4 | - | BB - 5/16"-18 X 3/4" BUTTON HEAD BOLT | |
| 7 | INV01184 | 4 | P1 | WL - 5/16" LOCK WASHER | |



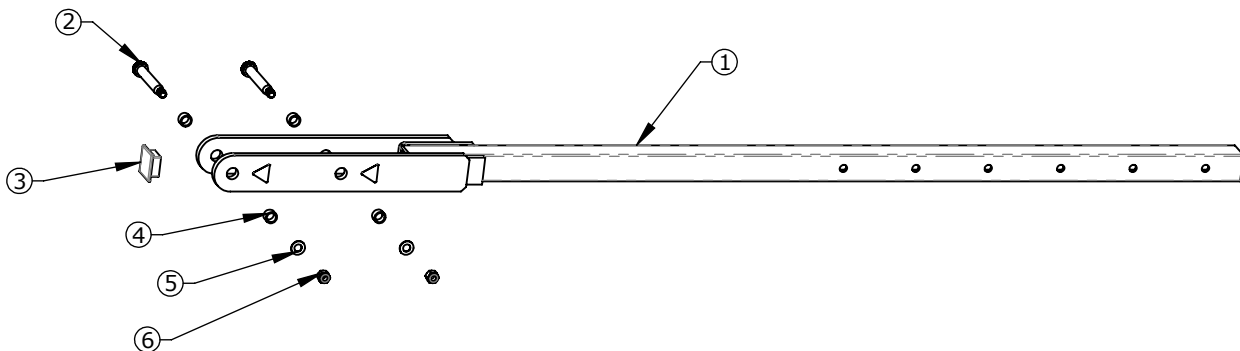
| ASSEMBLY - BREAK DOWN CRADLE (VERTICAL) - INV03422 | | | | | |
|--|----------|------|------|-------------------------------------|---------|
| ITEM | PART NO. | QTY. | REV. | DESCRIPTION | REORDER |
| 1 | INV01031 | 2 | - | HAND GRIP - RUBBER 1.00" DIA. | |
| 2 | INV02227 | 2 | 1 | MAKE - ARMREST TUBE | |
| 3 | INV03455 | 2 | 1 | MACHINED - KNOCK DOWN ARMREST MOUNT | |
| 4 | INV03457 | 4 | - | 4" FLANGED ROUND TORX HEAD | |
| 5 | INV03456 | 3 | 1 | BAR STOP STAND OFF | |

COMPONENT DETAILS

| ACTUATOR KIT - 400MM - LINAK - PART NO. INV03419 | | | | | |
|--|----------|------|------|---------------------------------|---------|
| ITEM | PART NO. | QTY. | REV. | DESCRIPTION | REORDER |
| 1 | INV00239 | 1 | - | ACTUATOR - LINAK - 400MM | |
| 2 | INV00652 | 1 | P1 | LABEL #139 - ACTUATOR | |
| 3 | INV00657 | 1 | 1 | LABEL #28 - DO NOT PUSH OR PULL | |

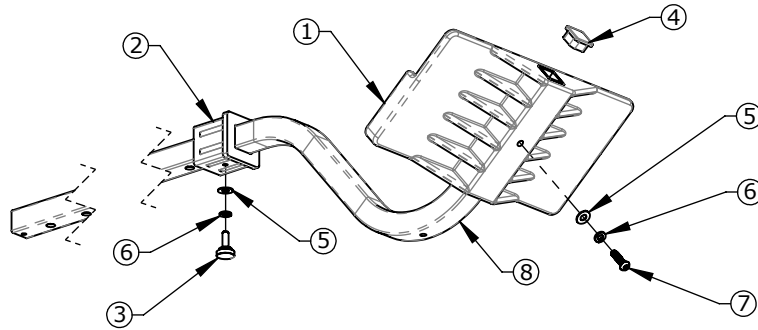


| ASSEMBLY - SEAT POLE - 57.00" - PART NO. INV02752 | | | | | |
|---|----------|------|------|-------------------------------------|---------|
| ITEM | PART NO. | QTY. | REV. | DESCRIPTION | REORDER |
| 1 | INV02130 | 1 | 2 | WELDMENT - SEAT POLE - 57.00" | |
| 2 | INV00458 | 2 | - | BS - 1/2"X3"X3/8"-16 SHOULDER BOLT | |
| 3 | INV01080 | 1 | - | END CAP - SQR. 1.50"X.120" | |
| 4 | INV00451 | 4 | - | BRB - 1/2"X5/8"X3/8" BRONZE BUSHING | |
| 5 | INV01174 | 2 | - | WF - 3/8" FLAT WASHER | |
| 6 | INV00739 | 2 | - | NN - 3/8"-16 NYLOCK NUT | |

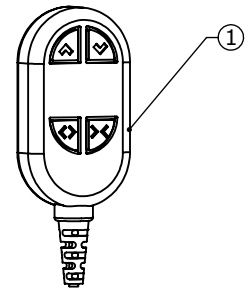


COMPONENT DETAILS

| ACCESSORY - FOOTREST - BLUE - PART NO. INV01903 | | | | | |
|---|----------|------|------|-------------------------------------|---------|
| ITEM | PART NO. | QTY. | REV. | DESCRIPTION | REORDER |
| 1 | INV01894 | 1 | 1 | PART - LEG/FOOTREST - BLUE | |
| 2 | INV01578 | 1 | 1 | PART - LEG/FOOTREST INSERT | |
| 3 | INV02364 | 1 | - | KNOB - 3/4" KNURLED - 1/4-20 X 3/4" | |
| 4 | INV01078 | 1 | - | END CAP - SQR. 1.00"X.120" | |
| 5 | INV01170 | 2 | - | WF - 1/4" FLAT WASHER | |
| 6 | INV01182 | 2 | - | WL - 1/4" LOCK WASHER | |
| 7 | INV00341 | 1 | - | BOLT - BHSCS 1/4"-20X1" | |
| 8 | INV02465 | 1 | 1 | LASER/WJ - FOOTREST W/HOLES | |



| REMOTE - 4 BUTTON LINAK - PART NO. INV01845 | | | | | |
|---|----------|------|------|-------------------------|---------|
| ITEM | PART NO. | QTY. | REV. | DESCRIPTION | REORDER |
| 1 | INV01845 | 1 | - | REMOTE - 4 BUTTON LINAK | |



PRODUCT ASSEMBLY

- READ ALL INSTRUCTIONS FULLY AND USE ALL COMPONENTS SHOWN IN EACH STEP BEFORE MOVING ON TO THE NEXT STEP
- ADD A SMALL AMOUNT OF ASSEMBLY LUBE TO ALL THREADS DURING ASSEMBLY (PACKET PROVIDED). THIS WILL HELP PREVENT SEIZING OF BOLTS
- DO NOT OVER TIGHTEN BOLTS. OVER-TIGHTENING CAN CAUSE DAMAGE AND COMPROMISE THE SAFETY OF YOUR LIFT.
- TOOLS REQUIRED:

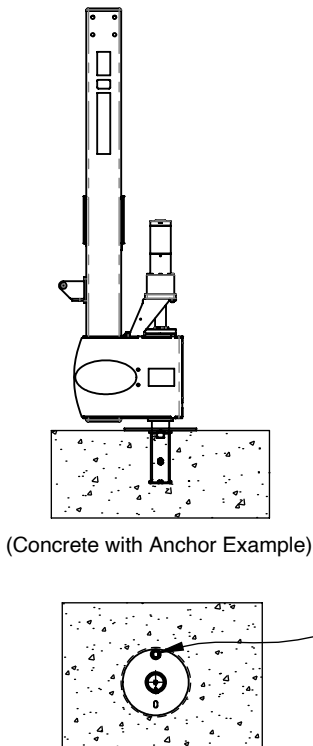
| SOCKETS/WRENCHES | ALLEN KEYS/TORX | RUBBER Mallet (AS NEEDED) |
|------------------|-----------------|---------------------------|
| 1/2" | 5/32" | |
| 9/16" | 3/16" | |
| | 1/4" | |
| | T-30 | |

SCAN QR CODE FOR VIDEO ASSEMBLY GUIDANCE →



STEP 1

INSTALL THE MAST SUBASSEMBLY INTO THE THE PRE-INSTALLED ANCHOR (SEE ANCHOR MANUAL FOR INSTALLATION INSTRUCTIONS). LINE UP THE HOLE ON THE SPINDLE PLATE WITH THE FIX KIT ANCHOR AND SECURE THE BOLT. (SEE BELOW)



BRB - 1/2"X5/8"X1/4" BRONZE BUSHING
PART NO. INV00450
(4 PLCS)

WF - 3/8" FLAT WASHER
PART NO. INV01174

NN - 3/8"-16 NYLOCK NUT
PART NO. INV00739

BH - 1/2"-13X1 1/2" HEX HEAD BOLT
PART NO. INV00388

STEP 2

ATTACH LIFTING BRACKETS TO THE MAST BY USING HEX HEAD BOLT [INV00411](#) BH 3/8 X 3-1/2 (X4) WITH [INV01174](#) 3/8" FLAT WASHER (X 8) AND [INV00739](#) 3/8"-16 NYLOCK NUT (X4). BE SURE TO INCLUDE THE SPACER PLATES IN BETWEEN THE MOUNTING BRACKETS. INSTALL THE BRACKETS SO THAT THE "A" & "B" LABELS ARE FACING INWARD.

LASER/WJ - LIFTING EAR SPACER
PART NO. INV00987
(2 PLCS)

WF - 3/8" FLAT WASHER
PART NO. INV01174

BH - 3/8"-16X3 1/2" HEX HEAD BOLT
PART NO. INV00411

***USE ASSEMBLY LUBE ON ALL BOLTS**

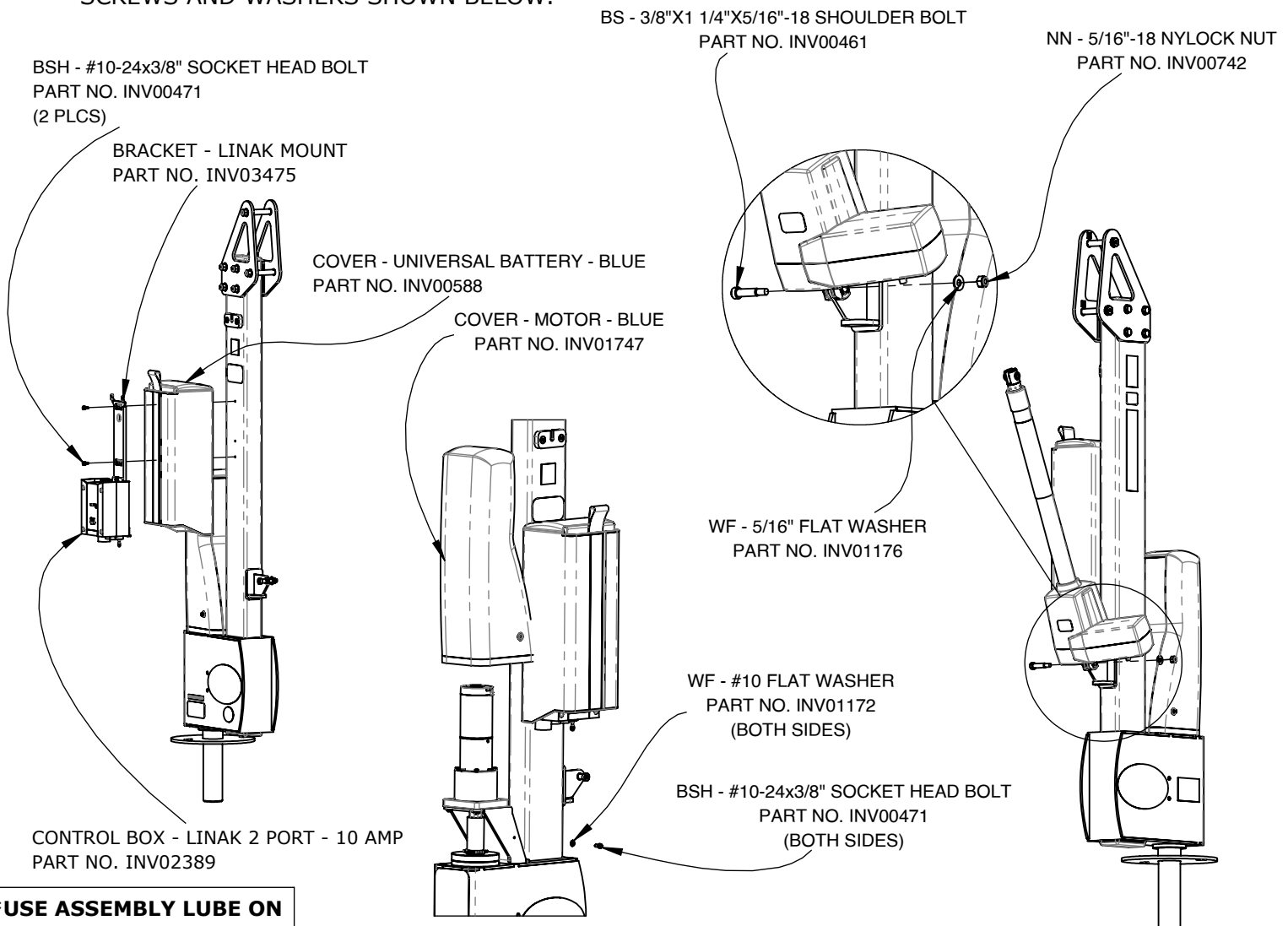
PRODUCT ASSEMBLY

STEP 3

PLACE THE COVER OVER THE CONTROL BOX AND BRACKET. LINE UP THE HOLES OF THE MOUNTING BRACKET WITH THE HOLES IN THE BACK OF THE BATTERY COVER. USE INV00471 #10-24X3/8 SOCKET BOLTS X2 TO SECURE THE BRACKET TO THE MAST. THE BATTERY WILL MOUNT ON TOP OF THE CONTROL BOX WHEN THE LIFT IS READY FOR USE. USE THE HANDSET MOUNTING BRACKET TO HOLD THE HANDSET WHEN NOT IN USE. ATTACH THE MOTOR COVER USING THE INCLUDED SCREWS AND WASHERS SHOWN BELOW.

STEP 4

ORIENT THE ACTUATOR AS SHOWN. USE INV00461 3/8"X1 1/4" X 5/16"-18 SHOULDER BOLT TO CONNECT IT TO THE MAST MOUNTING LUG. SECURE WITH INV01176 5/16" WASHER AND INV00742 5/16"-18 NYLOCK NUT. GENTLY LOWER ACTUATOR SHAFT DOWN TO REST WHILE COMPLETING STEP 5. (NEXT PAGE)

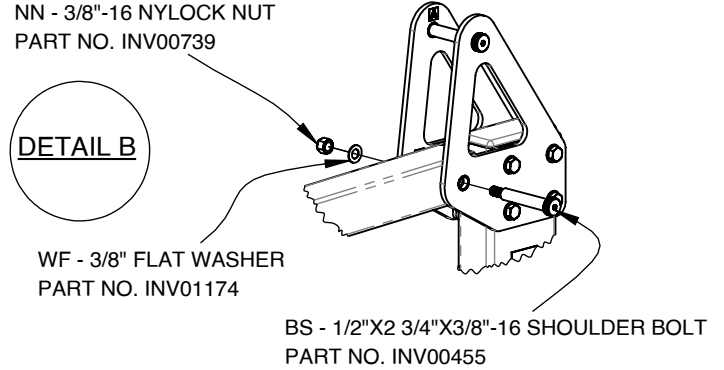


***USE ASSEMBLY LUBE ON ALL BOLTS**

PRODUCT ASSEMBLY

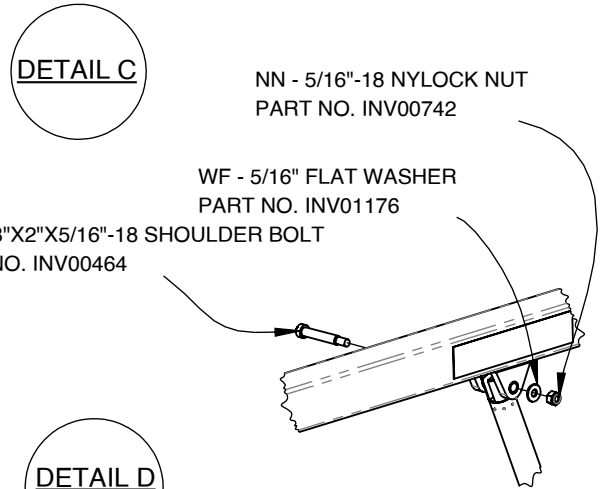
STEP 5

CONNECT THE LIFTING ARM TO THE BRACKETS THROUGH THE HOLES LABELED "B". USE INV00455 1/2" X 2 3/4" X 3/8" BOLT WITH THE INV01174 3/8" WASHER AND INV00739 3/8"-16 NYLOCK NUT. (DETAIL B)



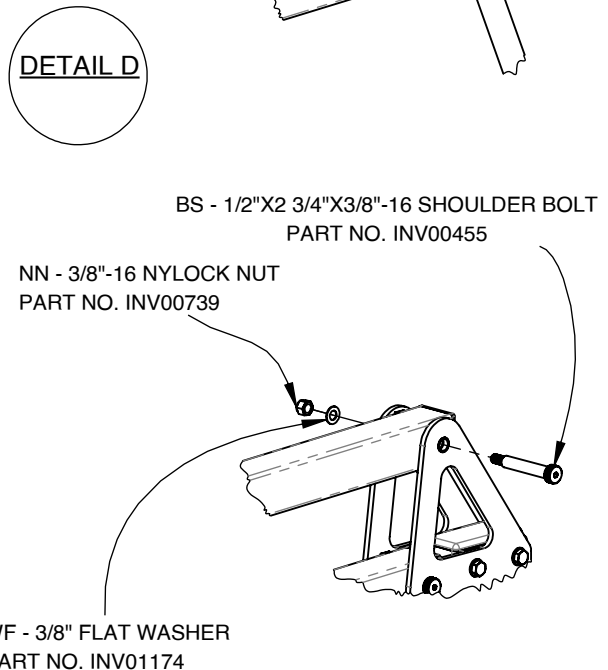
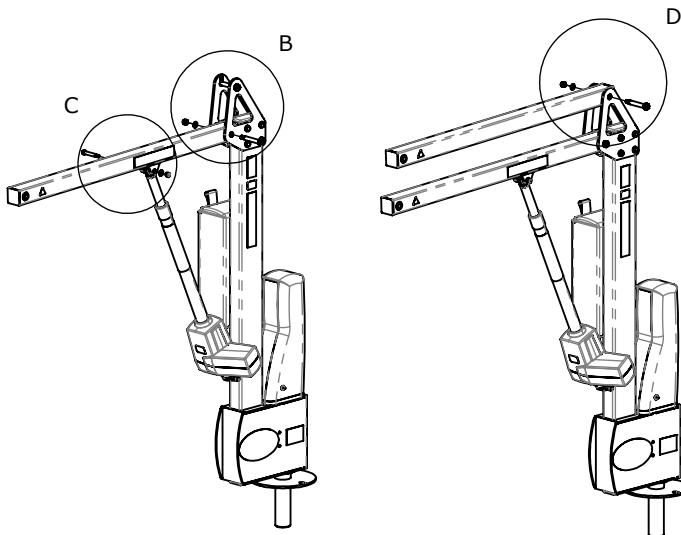
STEP 6

NEXT, ATTACH THE ACTUATOR TO THE LIFTING ARM USING INV00464 3/8" X 2" X 5/16"-18 SHOULDER BOLT WITH INV01176 5/16" WASHER AND INV00742 5/16" - 18 NYLOCK NUT. (DETAIL C)



STEP 7

REPEAT STEP 5 FOR THE CONTROL ARM ATTACHMENT INTO THE HOLES MARKED "A". (DETAIL D)



***USE ASSEMBLY LUBE ON ALL BOLTS**

PRODUCT ASSEMBLY

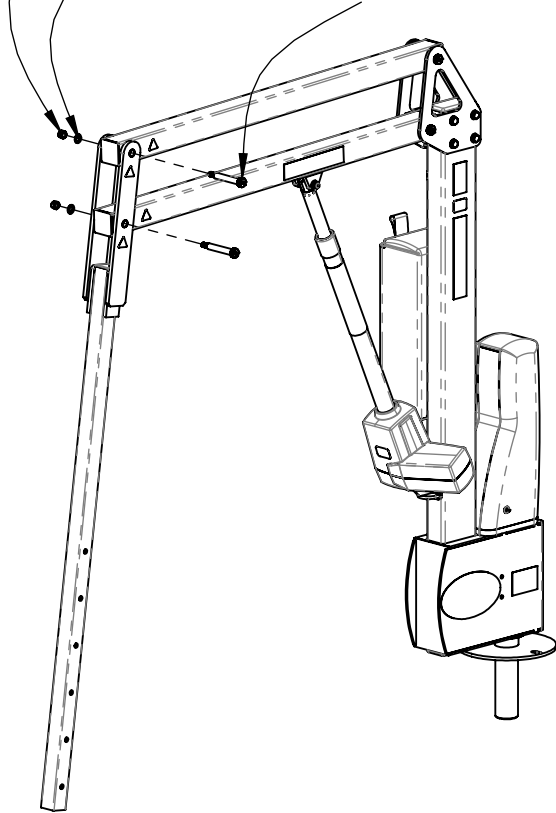
STEP 8

CONNECT THE SEAT POLE TO THE LIFTING & CONTROL ARMS USING INV00458 1/2" X 3" X 3/8"-16 SHOULDER BOLTS. SECURE WITH INV01174 3/8" WASHERS AND INV00739 3/8"-16 NYLOCK NUTS.

NN - 3/8"-16 NYLOCK NUT
PART NO. INV00739

WF - 3/8" FLAT WASHER
PART NO. INV01174

BS - 1/2"X3"X3/8"-16 SHOULDER BOLT
PART NO. INV00458

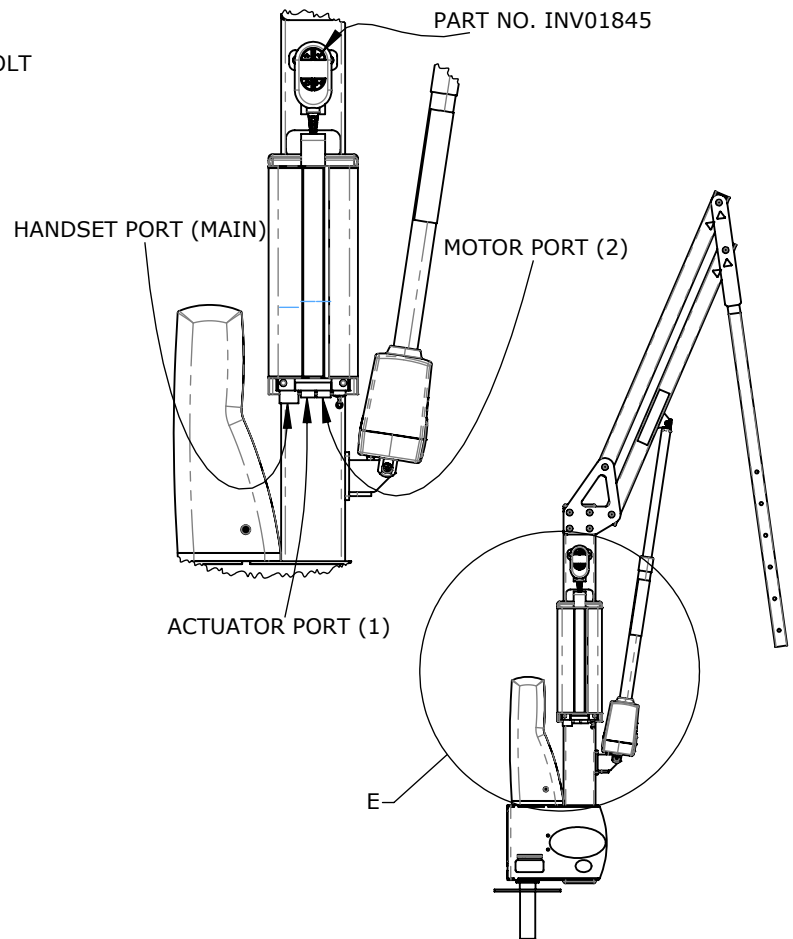


STEP 9

PLUG THE ACTUATOR, MOTOR, AND HANDSET INTO THE CONTROL BOX (SEE DETAIL E BELOW). OPERATE THE HANDSET TO RAISE THE LIFTING ARMS UP SO THAT THERE IS ENOUGH CLEARANCE TO ATTACH THE SEAT CRADLE ASSEMBLY. USE LUBRICANT ON THE O-RINGS BEFORE PLUGGING THE CABLES IN. PLACE THE HANDSET ONTO ITS HOLSTER ON THE MAST TUBE AS SHOWN WHEN NOT IN USE.

DETAIL E

REMOTE - 4 BUTTON LINAK
PART NO. INV01845



LIFT IN "UP" POSITION

***USE ASSEMBLY LUBE ON ALL BOLTS**

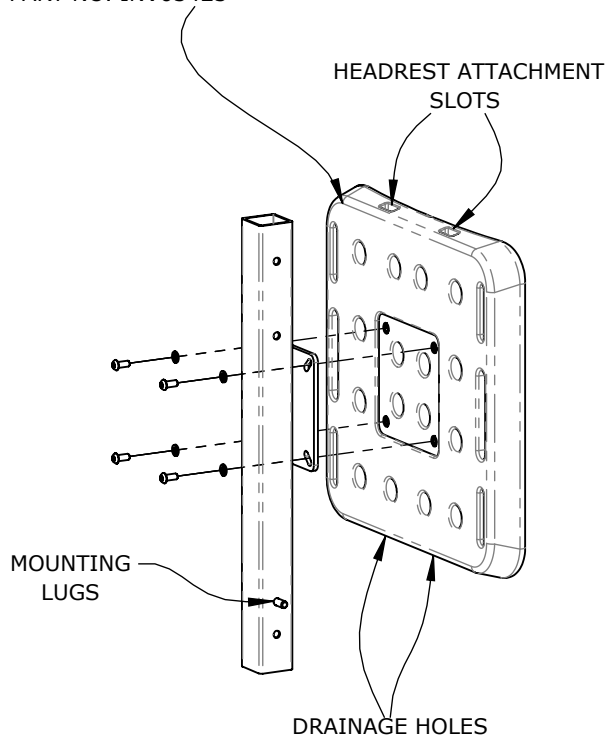
PRODUCT ASSEMBLY

STEP 10

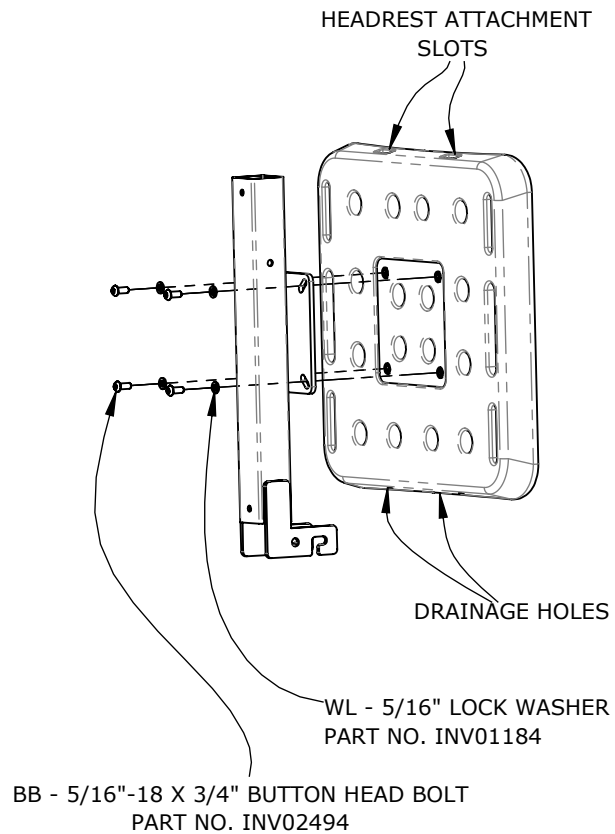
INSTALL THE SEAT SECTIONS TO SEAT CRADLE PIECES (VERTICAL AND HORIZONTAL) AS SHOWN. USE INV02494 5/16-18 BUTTON HEAD BOLTS X 4 AND WASHERS INV01184 X 4 FOR EACH SEAT SECTION. ENSURE ORIENTATION OF SLOTS ON SEAT HALVES ARE PARALLEL WITH SEAT CRADLE PIECES. REFER TO THE IMAGES BELOW FOR DRAINAGE HOLE ORIENTATION FOR EACH ASSEMBLY. HEADREST ATTACHMENT OPTION SOLD SEPARATELY

SEAT BACK ASSEMBLY

ROTOMOLD - SEAT HALF 18.00" - BLUE
PART NO. INV03423



SEAT BOTTOM ASSEMBLY



***USE ASSEMBLY LUBE ON ALL BOLTS**

PRODUCT ASSEMBLY

STEP 11

INSTALL THE VERTICAL SEAT CRADLE TUBE TO THE DESIRED HEIGHT AS SHOWN AND SECURE WITH INV00464 3/8 X 2 SHOULDER BOLTS WITH INV01176 WASHER AND INV00742 NYLOCK NUT. (DETAIL F)

STEP 12

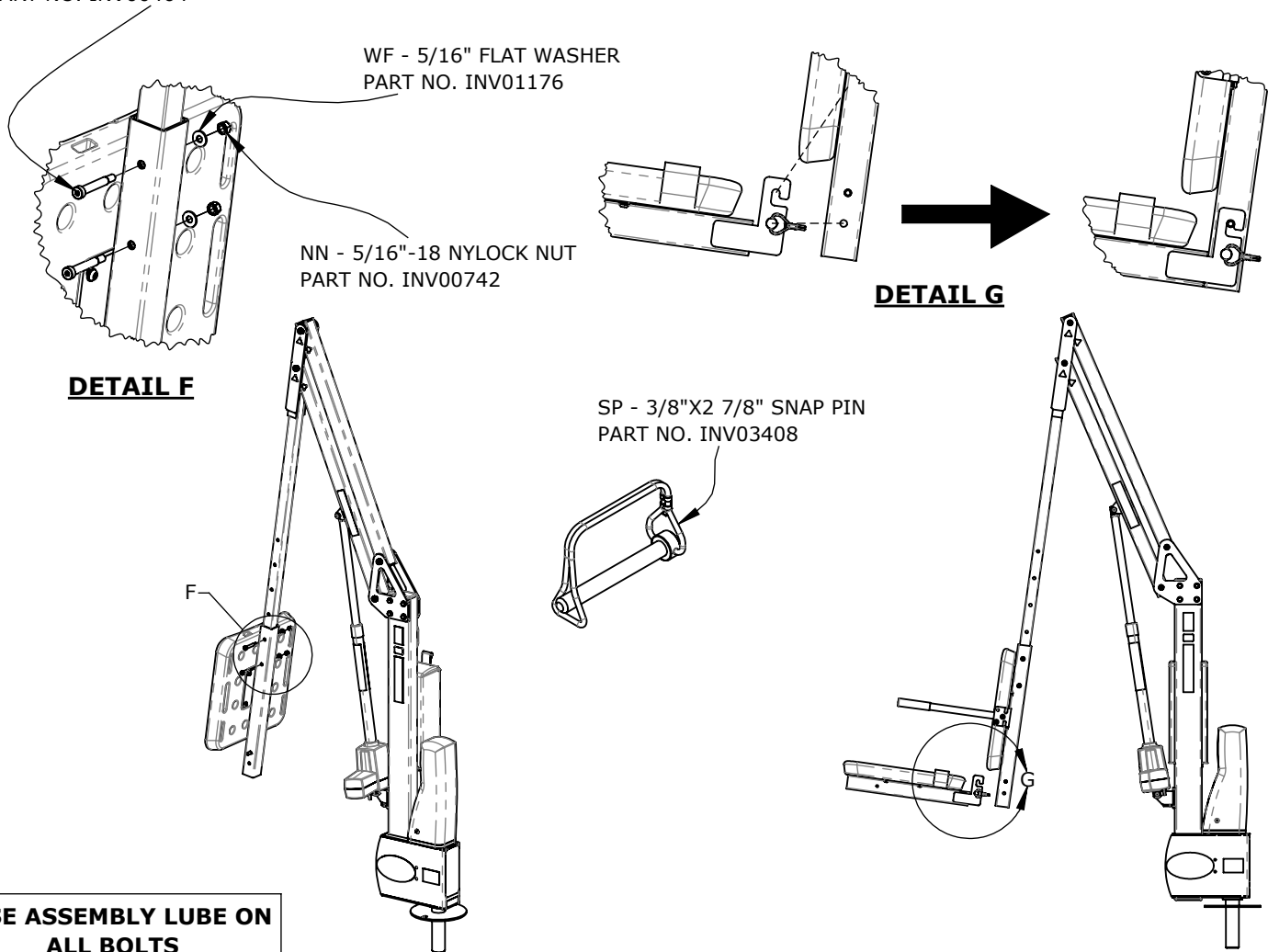
ATTACH THE LOWER SEAT CRADLE SECTION BY HOOKING THE PIN ON THE BOTTOM OF THE VERTICAL SEAT CRADLE SECTION AND THEN ROTATING THE LOWER SECTION DOWN TILL IT MAKES FLUSH CONTACT WITH THE VERTICAL TUBE. INSTALL THE SAFETY SNAP PIN INV03408 AS SHOWN IN THRU HOLE (DETAIL G)

BS - 3/8"X2"X5/16"-18 SHOULDER BOLT
PART NO. INV00464

WF - 5/16" FLAT WASHER
PART NO. INV01176

NN - 5/16"-18 NYLOCK NUT
PART NO. INV00742

SP - 3/8"X2 7/8" SNAP PIN
PART NO. INV03408



DETAIL F

DETAIL G

***USE ASSEMBLY LUBE ON ALL BOLTS**

PRODUCT ASSEMBLY

STEP 13

INSTALL THE ARMRESTS AS SHOWN ON BOTH SIDES OF THE VERTICAL MOUNTED SEAT SECTION. USE THE SUPPLIED 4" FLANGED ROUND TORX HEAD SCREWS (X4) [INV03457](#) FOR THE MOUNTING ASSEMBLY, USING TWO SCREWS PER ARMREST. MAKE SURE TO USE THE SUPPLIED SPACERS ON THE LOWER SCREW LOCATION SO THAT THE ARMREST TUBE IS RESTING ON IT ONCE INSTALLED. THERE IS AN ADDITIONAL SPACER SUPPLIED. THIS SHOULD BE USED ONLY DURING ASSEMBLY AT THE UPPER HOLE LOCATION AS SHOWN WHEN INSTALLING THE ARMREST TUBE. THIS IS TO PREVENT OVER TIGHTENING OF THE CENTER SCREW. BE SURE TO REMOVE THE ADDITIONAL SPACER OUT AFTER ASSEMBLY FOR THE ARMREST TO FUNCTION PROPERLY

A) ENSURE ARMREST MOUNTING BRACKET IS ORIENTED CORRECTLY AND COMPLETELY IN CENTER SLOT, CONTACTING BOTTOM OF SLOT (A)

B) SCREW TORX HEAD THROUGH LOWER MOUNT HOLE, BAR STOP, AND INTO SIDE OF SEAT. (B)

C) ALIGN ARMREST TUBE AND TORX SCREW USING THE CENTRAL MOUNT HOLE.

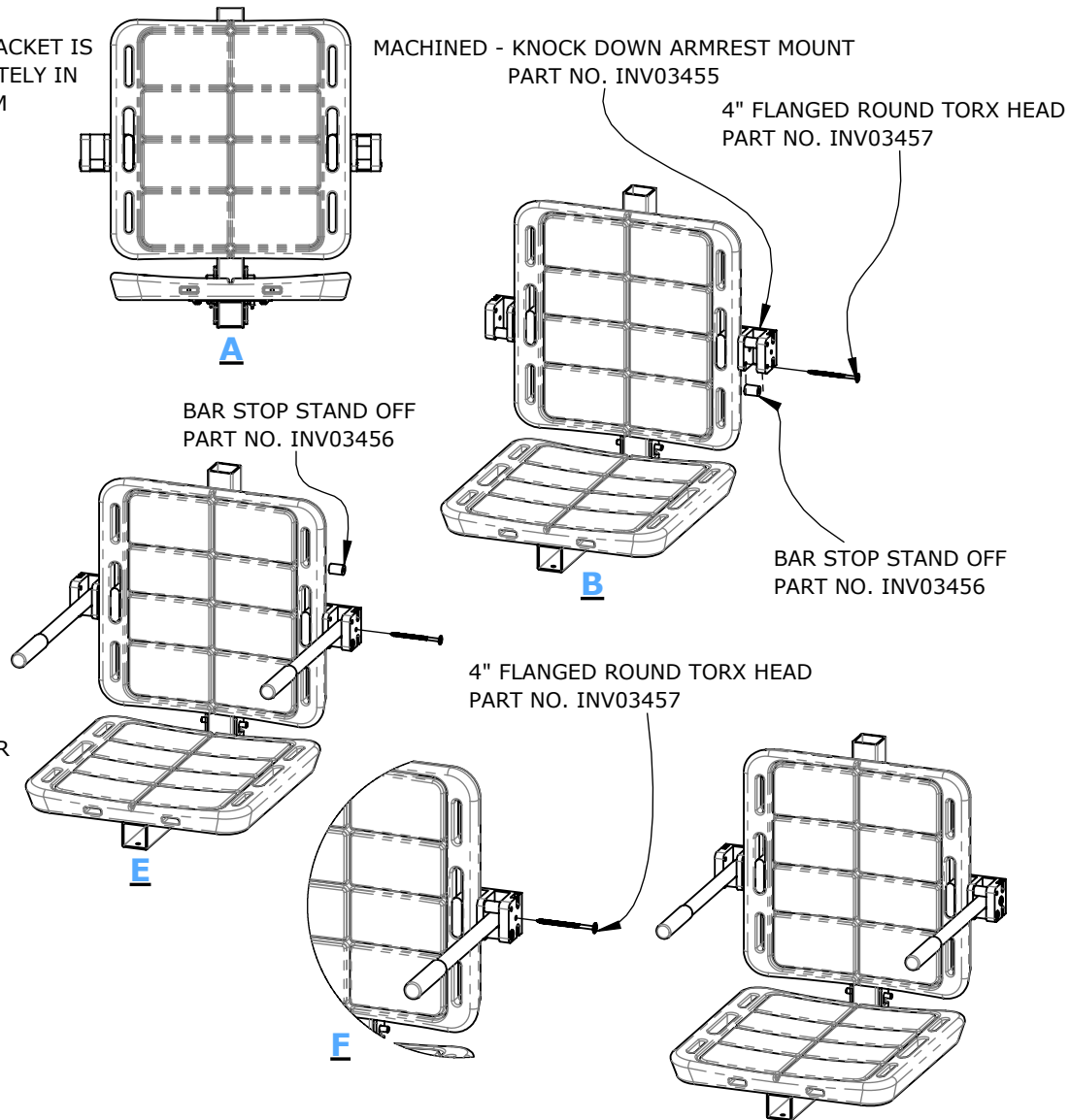
D) PARTIALLY INSERT TORX SCREW TO HOLD ARMREST IN PLACE.

E) POSITION EXTRA BAR STOP ABOVE ARMREST TUBE INSIDE OF THE MOUNT WALLS. THIS WILL PREVENT OVER TIGHTENING OF SCREW. (E)

F) FULLY TIGHTEN SECOND TORX SCREW (E)

G) REMOVE EXTRA BAR STOP SPACER

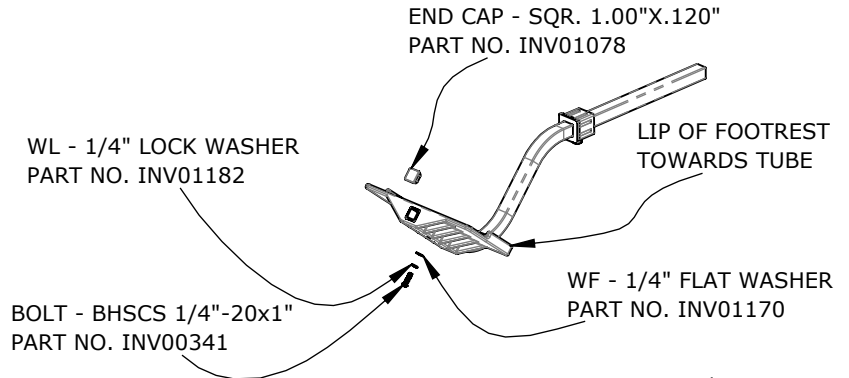
H) REPEAT STEPS A-G ON OTHER SIDE, REUSING EXTRA BAR STOP ON STEP E



PRODUCT ASSEMBLY

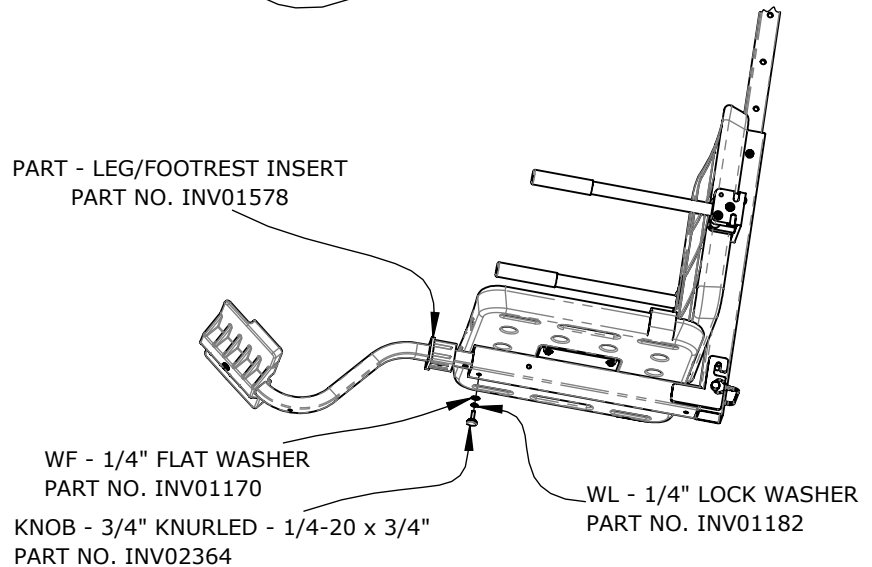
STEP 14

ASSEMBLE THE FOOTREST BY SCREWING IN THE PLASTIC FOOTREST TO THE TUBING BY USING THE INCLUDED 1/4"-20 X 1" BOLT WITH BOTH 1/4" LOCK WASHER AND 1/4" FLAT WASHER.



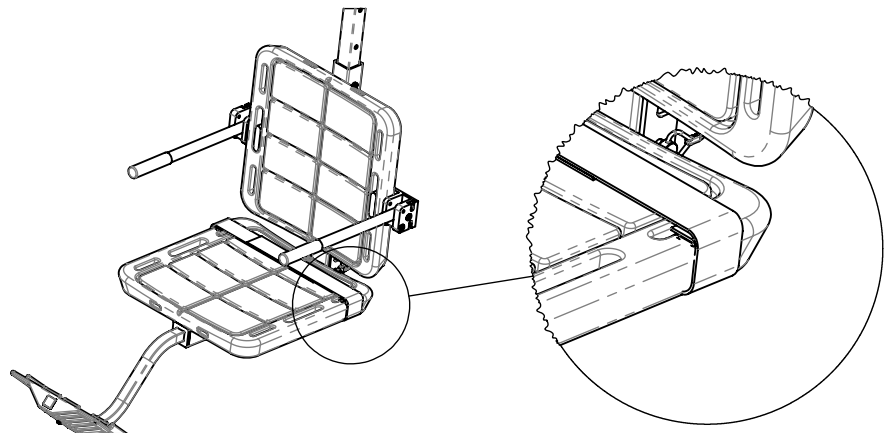
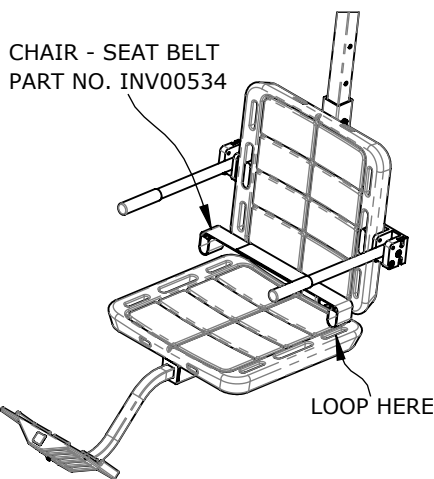
STEP 15

INSTALL THE LONG END OF FOOTREST TUBE INTO THE SEAT CRADLE AS SHOWN. USE THE BOLT WITH THE WASHER AND LOCK WASHER SHOWN TO SECURE THE FOOTREST IN PLACE. ADJUST THE ASSEMBLY TO THE DESIRED LENGTH OF THE FOOTREST.



STEP 16

LOOP EACH SEATBELT STRAP THROUGH THE SLOT INDICATED BELOW AND USE THE HOOK AND EYE PATCHES TO SECURE THE LOOP.



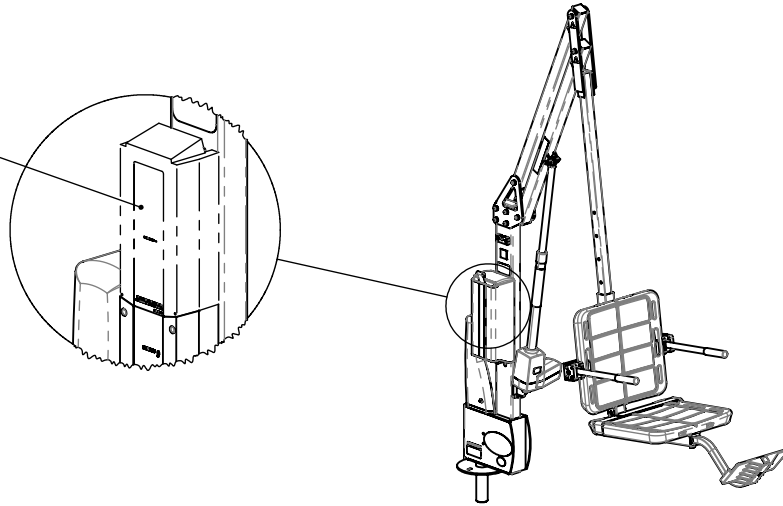
***USE ASSEMBLY LUBE ON ALL BOLTS**

PRODUCT ASSEMBLY

STEP 17

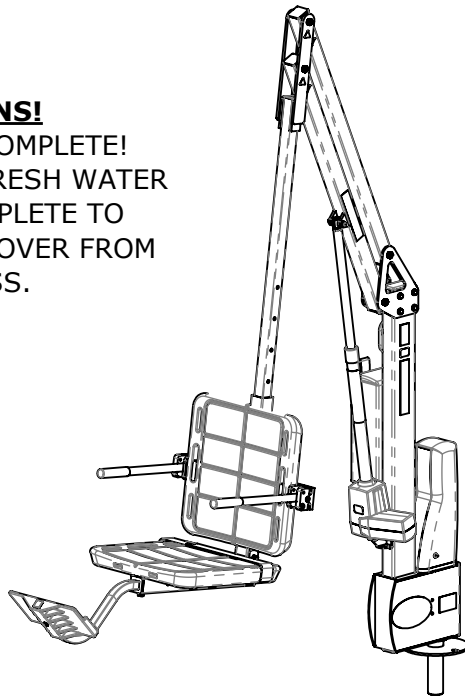
LOOP OPEN BATTERY COVER FLAPS AND ATTACH BATTERY
(BATTERY COVER NOT SHOWN).

BATTERY - LINAK 24V - 2PC
PART NO. INV00340
*COVER NOT SHOWN



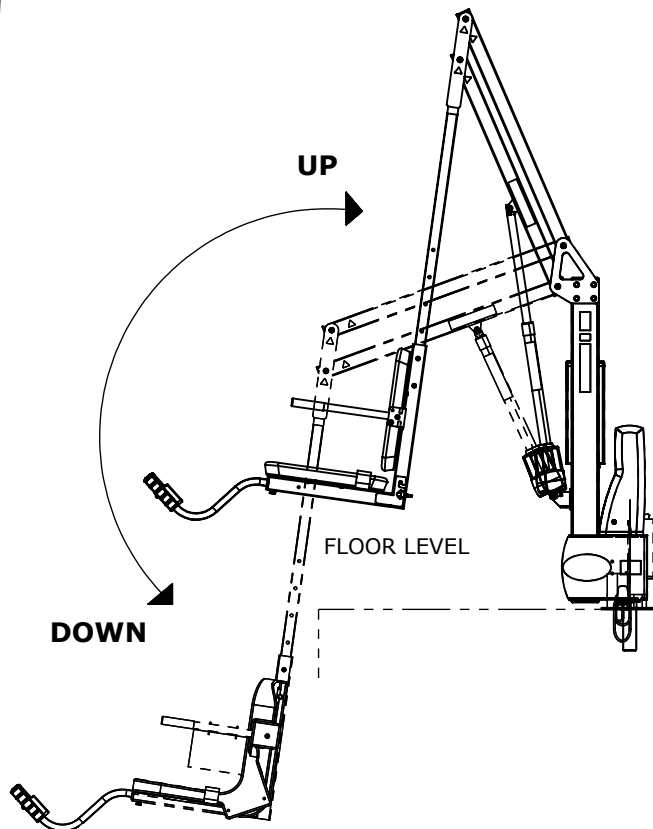
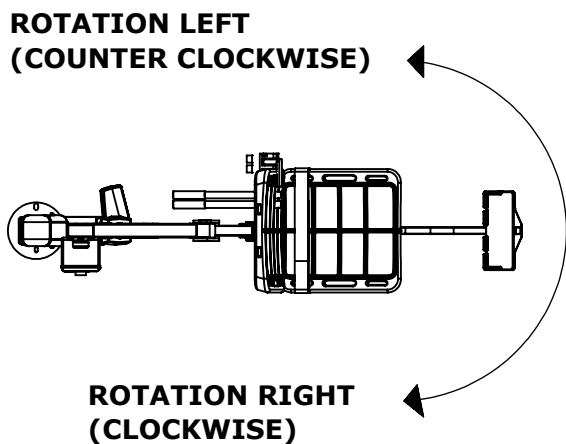
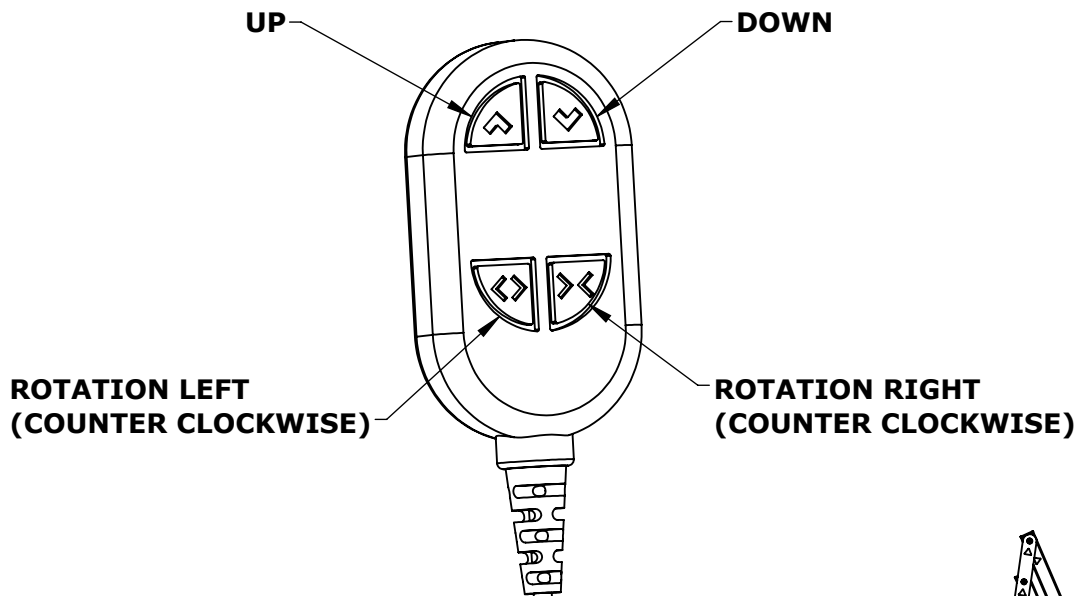
CONGRATULATIONS!

PRODUCT ASSEMBLY IS COMPLETE!
RINSE THE LIFT OFF WITH FRESH WATER
AFTER ASSEMBLY IS COMPLETE TO
REMOVE ANY GREASE LEFT OVER FROM
ASSEMBLY PROCESS.



PRODUCT ASSEMBLY COMPLETE!

OPERATION INSTRUCTIONS



MAINTENANCE INSTRUCTIONS

| PROCEDURE | BEFORE EACH USE | DAILY | WEEKLY | MONTHLY |
|--|-----------------|-------|--------|---------|
| Check battery level indicator on control box. | ☑ | | | |
| Run the lift through a complete test cycle (fully extend actuator) to verify it is functioning properly. | ☑ | | | |
| Wash lift with fresh water and dry with clean, soft, non-abrasive cloth. | | ☑ | | |
| Recharge battery. | | ☑ | | |
| Visually inspect lift for damage, corrosion, and loose or missing hardware. | | ☑ | | |
| Check all contact points for damage and/or corrosion. | | | ☑ | |
| Repair, clean and apply dielectric grease to all contact points. | | | ☑ | |
| Thoroughly clean lift frame and apply a liberal coat of car wax to maintain the lift's finish. | | | | ☑ |
| Check all Warning and Cautionary labels to make sure they are not faded or worn. Replace as needed. | | | | ☑ |

PROPER CARE NOTES:

- Use only fresh water to wash your lift. Do not wash with pool water.
- Use only clean, soft, non-abrasive cloths on your lift.
- Do not store lift in pump room or near chemicals.
- Do not allow children to play on or around this lift.
- When cleaning the lift, do not spray water directly on control box or battery.
- The lift may need to be bonded according to local code requirements.
- If the lift is not used for extended periods, remove the battery from the lift and store it on the wall charger to maintain the batteries charge. The charger should be plugged in and in a climate controlled area.

STAIN REMOVAL NOTES:

To remove stubborn stains from finish, spray affected area with mild dish soap, rub briskly with a 3M Scotch Brite™ pad. Use white epoxy paint to touch up the finish. Apply wax to protect when dry.



ANNUAL LIFT INSPECTION

| | |
|------------------|--|
| Test Date: | |
| Pool Lift Model: | |
| Serial Number: | |
| Inspected By: | |

Inspection Notes:

Please read and fill out all information carefully

Improper use and/or maintenance of pool lift can lead to actuator and/or other mechanical failures and possible personal injury. Please read and follow the product operators' manual and the instructions below.

NOTE: Completely cycle the lift without a load before each use to verify the lift is functioning properly.

- Product service life depends on the load characteristics, type and frequency of use, and the environment in which the product is being used. For example, persons not calmly sitting but falling down with their full body weight in the chair, or using the pool lift's chair as a diving platform can cause premature actuator failure and/or possible personal injury.
- Based on historical product service life analysis, Aqua Creek recommends replacing the actuator(s) and other electronic components after 5 years of service. Check component serial numbers and purchase records to verify the age of your components.
- A functional weight lifting force of a maximum of 100lbs. Must be periodically verified by applying a non-live load (without a person) through the entire operating cycle of the lift. This process is performed in order to verify the smooth operation. Make note of any unusual noises or sudden movements coming from the actuator(s) or other components. Note: In some lifts, a sudden quick movement at the beginning of the cycle is normal but should smooth out over the course of operation.
- Creating a side load on the actuator by pushing and/or pulling on the actuator, especially under load conditions, can cause damage to the actuator and or personal injury.
- Electronic components are designed to be plug-and-play type replacements. There is no need to access the internal mechanisms in these components. The actuator, battery, and all electronic components may only be disassembled by authorized factory-trained personnel. Disassembly of electronic components by improperly trained and unauthorized persons will void the warranty on those components.
- The operator of the pool lift should never allow the pool lift to hit any stationary object either vertically or horizontally while operating a pool lift, i.e. walls, ceiling, pool/spa bench, etc..
- For quick and accurate troubleshooting and inspections, we recommend having a voltmeter on hand as well as adequate test and replacement components for the unit.
- Remove the pool lift from service immediately if any unusual noise is heard coming from the actuator such as grinding, popping or sudden inconsistent movements.
- Immediately remove from service any lift that does not have 100% compliance with the inspection until the appropriate corrections have been made by a qualified person.

ANNUAL VISUAL INSPECTION

Corrosion is common with anything in a swimming pool environment; even stainless steel. Proper and regular maintenance and cleaning will prevent most instances of corrosion. Replace any components that have corrosion caused pitting, cracking, thinning of the base metal, or other instances of corrosion that can't be eliminated and/or minimized through thorough cleaning. Refer to product manual for additional maintenance instructions. Make comments and/or recommendations in the notes area below each section.

| INSPECTION ITEM | PASS | FAIL | N/A |
|--|------|------|-----|
| 1. Anchor bolts, concrete around anchors, etc... are in good condition. No cracks in concrete, missing hardware, and anchors are installed correctly. | | | |
| 2. The fixing anchor is installed correctly and is in good condition. | | | |
| 3. Powder coated components are clean, corrosion free, and in good overall condition. Clean and repair any missing powder coat finish. Apply a coat of wax on the cleaned and repaired finish. | | | |
| 4. Welded joints show no signs of cracks or fatigue. Replace any non-compliant components. | | | |
| 5. Hardware is present, secure, and not corroded (bolts, nuts, bushings, etc...). | | | |
| 6. All wiring routing clips are present and in good condition. | | | |
| 7. All product warning labels are present and legible. | | | |
| 8. Plastic seat, foot rest, and other plastic components are present and in good condition. | | | |
| 9. Armrest hand grips are present, in good condition, and are well secured to the arms. | | | |
| 10. Electronic and lift covers are present and in good condition (Lift covers are highly recommended for outdoor installations). | | | |
| 11. Inspect rotation gears for any damage or missing teeth. Inspect rotation motor gear and alignment to ensure proper rotation of the lift. | | | |
| 12. Inspect lift slings, seat belts, and other similar stitched and webbed or weaved materials for damage, fatigue, and/or deterioration. Replace at first sign of any fatigue or damage. | | | |



ANNUAL PHYSICAL POOL LIFT TEST

A physical test of the lift's function is required when doing an annual inspection. The lift should always run through a completed cycle without a load prior to each use. Make comments and/or recommendations in the notes area below.

| INSPECTION ITEM | PASS | FAIL | N/A |
|--|------|------|-----|
| 1. With all connections secured, operate the lift through a complete cycle with and without weight to confirm the lift is functioning properly. Note any strange noises or unusual behavior. | | | |
| 2. Verify the lift was installed correctly. Is the lift free to travel in and out of the pool without hitting anything such as walls, rails, benches, etc.? | | | |
| 3. Rotate lift at least 90 degrees over the water and back again if applicable. | | | |

NOTES:

ANNUAL ELECTRONICS INSPECTION

Most electronic issues are due to poor electrical connections and/or a defective battery. Always remove the battery and place on the charger when the lift is not in use. NOTE: Even if your lift is equipped with a solar charger, it is a good idea to place the battery on the wall charger periodically or during extended periods of non-use or storage. Before testing the battery, charge overnight. A voltage meter is required for this section and a known GOOD handset controller is helpful. An Aqua Creek electronics test light is also highly recommended (order item F-01TL). Make comments and/or recommendations in the notes area below each section.

| INSPECTION ITEM | PASS | FAIL | N/A |
|--|------|------|-----|
| 1. Battery contact points are free of damage and/or corrosion. Dielectric grease is present on all contact points to prevent corrosion. ALWAYS STORE BATTERY ON THE CHARGER WHEN LIFT IS NOT IN USE! | | | |
| 2. Battery level indicator (if equipped) on control box is functioning properly when battery is installed on lift. | | | |
| 3. Using a voltmeter, check the voltage on the battery. A good battery will read between 24v and 28v DC. Note: Vito batteries will require a test cord. (F-VTC002) | | | |
| 4. Using the test light, confirm continuity through the control box by plugging the light into the control box in place of the actuator and press the buttons on the controller and the control box itself (if applicable). If the light does not light up with the handset, replace handset with a known good one and try to see if it lights up. | | | |
| 5. Once the battery is fully charged up to 24 to 28 volts, cycle the lift (up, down, rotate) counting the cycles. If the battery is in good condition, the lift should easily complete at least 15 cycles without a load. | | | |

BASIC TROUBLESHOOTING

1. 1. Make note of the complaint, such as lift is not operating at all, lift won't return to deck, etc...
2. Make note of any noises the lift may be making, such as grinding, clicking, buzzing, beeping. Try to identify where the noises are coming from, i.e. the actuator, battery control box, etc...
3. If a 'beeping' noise is coming from the battery, chances are the battery is dead or not charged enough to operate the lift. It is designed to have an audible alarm when it reaches below a certain charge level. Check the battery voltage (Should read >24 volts DC) and either charge the battery or replace it with a new one.
 - A. Lay the battery on a flat, dry surface.
 - B. Make sure your volt meter is on and changed to DC mode.
 - C. Put one probe on the left metal prong and one of the right metal prong.
 - D. The volt metal should read 24 Volts or higher for a good battery. If it reads negative it just means the probes are on backwards.
 - E. Sometimes it will test good on voltage but the amperage is no good.
 - F. If needed the battery can be taken into a battery store and have an 8amp load test done to check for proper amperage.
4. If the battery just came off the charger and is fully charged, check to make sure the charger is plugged in and charging properly. This can be done with the volt meter.
 - A. Verify the charger is plugged into a working wall outlet.
 - B. Place one probe from your volt meter on the left metal prong on the charger and the other probe on the right metal prong of the charger. Voltage should be reading at least 27 volts DC. If it reads negative it just means the prongs were placed backwards.
5. Verify the cords are properly seated in the control box ports and are not damaged or corroded. We suggest unplugging and then plug back in making sure they are seated properly. Clean any corrosion off of the tabs on the battery and plugs if there is any.
 1. A. If there are black or grey pieces surrounding the metal tabs on the control box remove them.

ONCE THESE STEPS ARE COMPLETE CALL AQUA CREEK PRODUCTS AND TALK TO TECHNICAL SUPPORT FOR FURTHER ASSISTANCE OR GO ONLINE AND WATCH OUR TROUBLESHOOTING VIDEOS:

(888)687-3552

[HTTPS://AQUACREEKPRODUCTS.COM/HELP-CENTER/TROUBLESHOOTING/](https://aquacreekproducts.com/help-center/troubleshooting/)



LIMITED FIVE (5) YEAR WARRANTY

Aqua Creek Products, LLC (a.k.a. Aqua Creek) warrants to the original end user purchaser that products manufactured by Aqua Creek, when properly installed in accordance with assembly and installation instructions, and properly used and maintained, shall be free from defects in material and workmanship for a period of *five (5) years from the date of original purchase*, provided that Aqua Creek receives prompt notice in writing of any defect or failure and satisfactory proof thereof, with the following exception(s):

Exceptions:

All electrical components, including the linear actuator shall have the following warranty period:

Year 1-2: 100% Coverage

Year 3: 60% Coverage (Customer is responsible for 40% of replacement cost)

Year 4: 50% Coverage (Customer is responsible for 50% of replacement cost)

Year 5: 40% Coverage (Customer is responsible for 60% of replacement cost)

Hydraulic actuators and mesh slings shall have a warranty period of *one (1) year from the date of original purchase*.

Powder coat finish scratches, scrapes, corrosion, or dents from customers normal use, negligence, or abuse.

This warranty specifically excludes reimbursement for labor to remove, repair, or install the product and any shipping charges. These warranties do not cover any damages due to accident, force majeure, act of nature, misuse, abuse, negligence or failure to properly maintain any products, or normal wear and tear from day to day operations. In the event that any products are altered, repaired, or improperly installed or improperly used by anyone without the prior written approval by Aqua Creek, all warranties are void. **IMPORTANT: AMOUNT OF WEIGHT PLACED ON LIFT SHALL NOT EXCEED THE RATED LIFTING CAPACITY FOR THE LIFT. NEVER OPERATE THE LIFT UNDER LOAD IN A DRY POOL (WITH NO WATER IN THE POOL).** It is the responsibility of the lift owner to verify the weight of the patron for warranty claim purposes and to ensure that the lift is not overloaded. Non-payment for product to Aqua Creek may void warranty.

To initiate a warranty claim, the owner of an Aqua Creek product must provide the place of purchase, in writing, with a full description of the product, its serial number, the dates of purchase and installation, and the exact nature of the defect. Within thirty (30) days after receipt of a written warranty claim by Aqua Creek, and barring any unforeseen delays, the place of purchase will be notified of Aqua Creek's decision regarding the claim.

If requested by Aqua Creek, any defective product must be returned, freight prepaid by customer, to Aqua Creek's designated factory location or duly appointed distributor for inspection and/or repair. Aqua Creek will, at its option, repair or replace the failed or defective item, and deliver the repaired product or replacement to the customer. All freight charges are the responsibility of the customer. Products returned to Aqua Creek for which Aqua Creek provides replacement under this limited warranty shall become the property of Aqua Creek. A new warranty period shall NOT be established for the repaired or replaced products. Such products shall remain under warranty only for the remainder of the original warranty period on the original products purchased.

This written limited warranty constitutes the final, complete and exclusive statement of warranty terms. No person or organization is authorized to make any other specific or implied warranties or representations on behalf of Aqua Creek.

THE WARRANTIES SET FORTH HEREIN ARE IN LIEU OF ALL OTHER WARRANTIES, EXPRESSED OR IMPLIED, WHICH ARE HEREBY DISCLAIMED AND EXCLUDED, INCLUDING WITHOUT LIMITATION ANY WARRANTY OF MERCHANTABILITY OR FITNESS FOR A PARTICULAR PURPOSE OR USE.

THE SOLE AND EXCLUSIVE REMEDIES FOR BREACH OF ANY AND ALL WARRANTIES WITH RESPECT TO THE PRODUCTS SHALL BE LIMITED TO REPAIR OR REPLACEMENT AT AQUA CREEK'S DESIGNATED FACTORY LOCATION, OR DULY APPOINTED DISTRIBUTOR, OR IN PLACE AT AQUA CREEK'S OPTION. IN NO EVENT SHALL AQUA CREEK'S LIABILITY EXCEED THE ENTIRE AMOUNT PAID TO AQUA CREEK BY THE ORIGINAL PURCHASER FOR THE FAILED OR DEFECTIVE PRODUCT. IN NO EVENT SHALL AQUA CREEK PRODUCTS, LLC BE LIABLE FOR ANY INCIDENTAL, CONSEQUENTIAL, SPECIAL, INDIRECT, PUNITIVE OR EXEMPLARY DAMAGES OR LOST PROFITS FROM ANY BREACH OF THIS LIMITED WARRANTY OR OTHERWISE.

THIS WARRANTY GIVES YOU SPECIFIC LEGAL RIGHTS AND YOU MAY ALSO HAVE OTHER RIGHTS, WHICH MAY VARY FROM STATE TO STATE. SOME STATES DO NOT ALLOW THE EXCLUSION OR LIMITATION OF INCIDENTAL, SPECIAL OR CONSEQUENTIAL DAMAGES, SO SOME OF THE ABOVE LIMITATIONS OR EXCLUSIONS MAY NOT APPLY TO YOU.